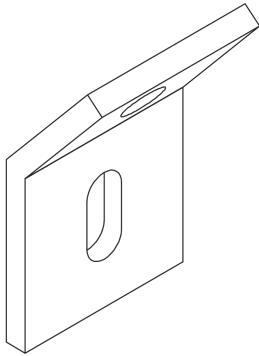


PRODUCT INFORMATION



W-BS

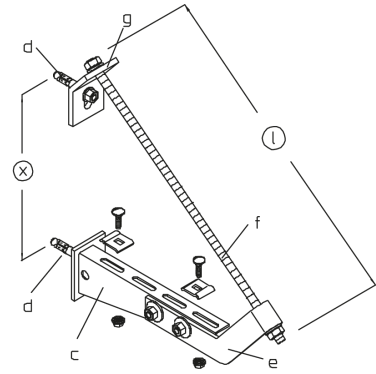
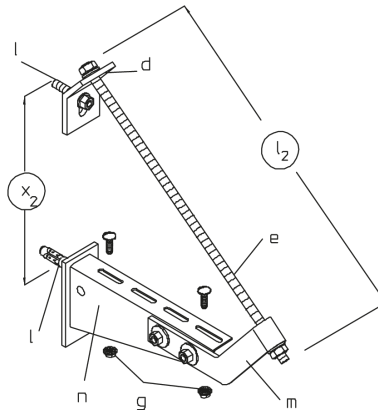
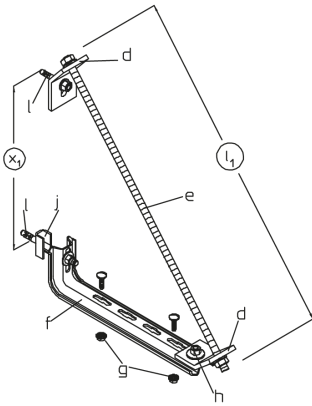
Wall angle, maintenance of function

steel, batch/hot-dip galvanized

Products	W
W-BS F	0,200 kg

W: Weight per storage unit

DETAIL AND APPLICATION IMAGES



OPTIONAL ACCESSORIES

GB, VM, SAZ, SD

Page 1



PohlCon GmbH
Nobelstraße 51 | 12057 Berlin
Telefon: +49 30 68283-04 | Fax: +49 30 68283-383 | contact@pohlcon.com





PohlCon GmbH
Nobelstraße 51 | 12057 Berlin
Telefon: +49 30 68283-04 | Fax: +49 30 68283-383 | contact@pohlcon.com

