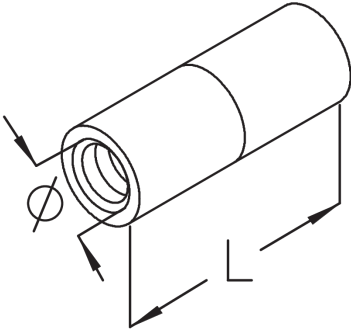


# PRODUCT INFORMATION

## VM Rod coupling

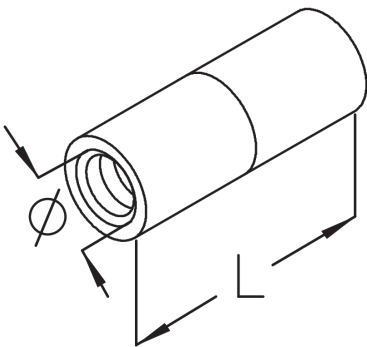


steel, galvanic zinc plated

Products	Ø	B	L	W
VM M8	8 mm	8 mm	30 mm	0,011 kg
VM M10	10 mm	10 mm	30 mm	0,014 kg
VM M12	12 mm	12 mm	30 mm	0,017 kg

Ø: thread diameter  
B: width  
L: length  
W: Weight per storage unit

## DETAIL AND APPLICATION IMAGES



Page 1





PohlCon GmbH  
Nobelstraße 51 | 12057 Berlin  
Telefon: +49 30 68283-04 | Fax: +49 30 68283-383 | [contact@pohlcon.com](mailto:contact@pohlcon.com)

