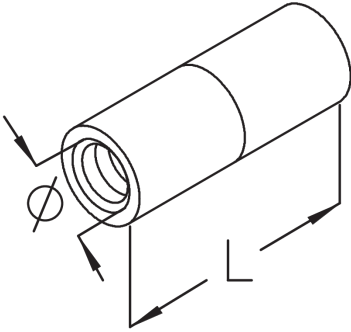


PRODUCT INFORMATION

VM Rod coupling

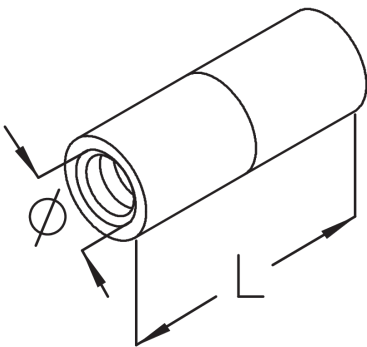


steel, galvanic zinc plated

Products	Ø	B	L	W
VM M8	8 mm	8 mm	30 mm	0,011 kg
VM M10	10 mm	10 mm	30 mm	0,014 kg
VM M12	12 mm	12 mm	30 mm	0,017 kg

Ø: thread diameter
B: width
L: length
W: Weight per storage unit

DETAIL AND APPLICATION IMAGES





PohlCon GmbH
Nobelstraße 51 | 12057 Berlin
Telefon: +49 30 68283-04 | Fax: +49 30 68283-383 | contact@pohlcon.com

