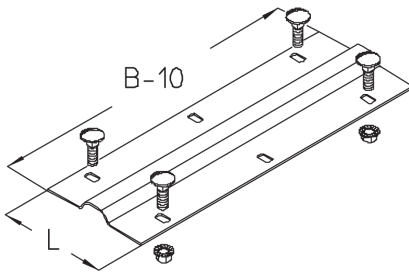


VB-BS

Floor connector, maintenance of function



steel, continuously hot galvanized/Senzimir process

Products	B	L	W
VB-BS 10S	84 mm	99 mm	0,098 kg
incl.:			
1 × KLR			
VB-BS 20S	184 mm	99 mm	0,209 kg
incl.:			
2 × KLR			
VB-BS 30S	284 mm	99 mm	0,312 kg
incl.:			
2 × KLR			

steel, batch/hot-dip galvanized

Products	B	L	W
VB-BS 10F	84 mm	99 mm	0,103 kg
incl.:			
1 × KLR E			
VB-BS 20F	184 mm	99 mm	0,226 kg
incl.:			
2 × KLR E			
VB-BS 30F	284 mm	99 mm	0,327 kg

Page 1

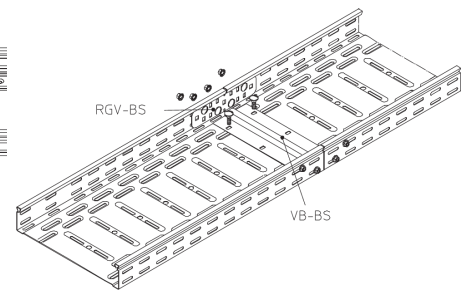
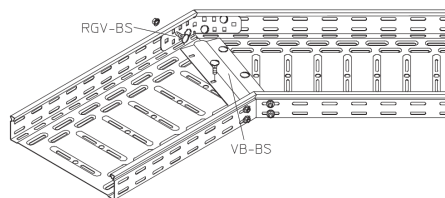
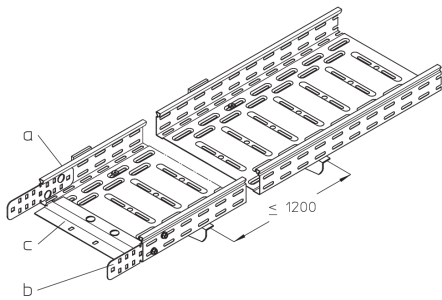
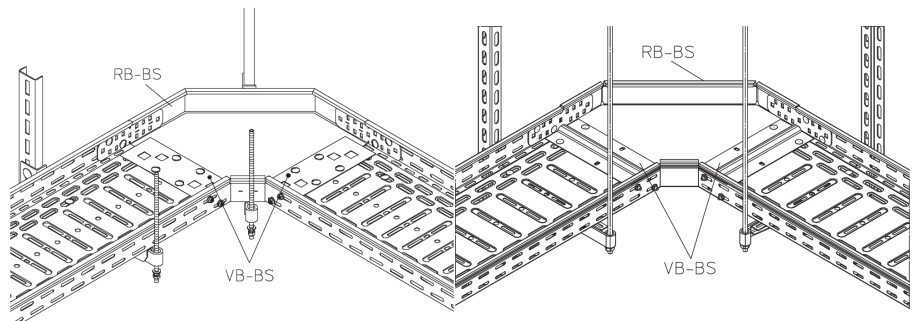
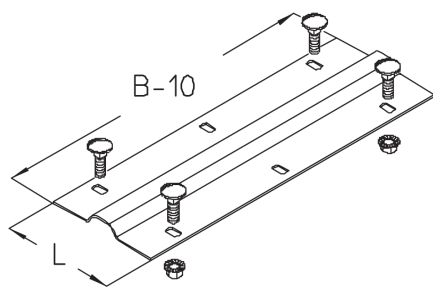


PRODUCT INFORMATION

Products	B	L	W
incl.:			
2 × KLR E			

B: width
L: length
W: Weight per storage unit

DETAIL AND APPLICATION IMAGES



PRODUCT INFORMATION

