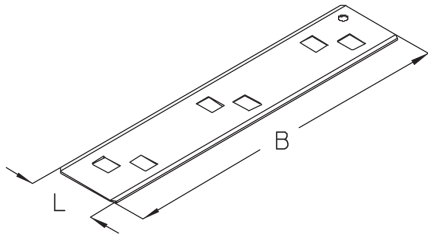


## VB

### Floor connector



Cable trays or wide-span cable trays can be connected to one another quickly and easily using the floor connector VB and the corresponding side connectors for routing and protecting cables at the connection points. The floor connectors are also used for horizontal and vertical bends, crossings, branches and cable tray reducers. We provide components in various materials and surface finishes to ensure that the corrosion requirements are met for all sorts of applications.

steel, continuously hot galvanized/Sendzimir process

Products	B	L	weight
VB 10S	54 mm	70 mm	0,035 kg
VB 15S	96 mm	70 mm	0,059 kg
VB 20S	155 mm	70 mm	0,099 kg
VB 30S	255 mm	70 mm	0,172 kg
VB 40S	355 mm	70 mm	0,237 kg
VB 50S	455 mm	70 mm	0,293 kg
VB 60S	555 mm	70 mm	0,369 kg

steel, batch/hot-dip galvanized

Products	B	L	weight
VB 10F	54 mm	70 mm	0,036 kg
VB 15F	96 mm	70 mm	0,065 kg
VB 20F	155 mm	70 mm	0,108 kg
VB 30F	255 mm	70 mm	0,190 kg
VB 40F	355 mm	70 mm	0,260 kg
VB 50F	455 mm	70 mm	0,313 kg
VB 60F	555 mm	70 mm	0,401 kg



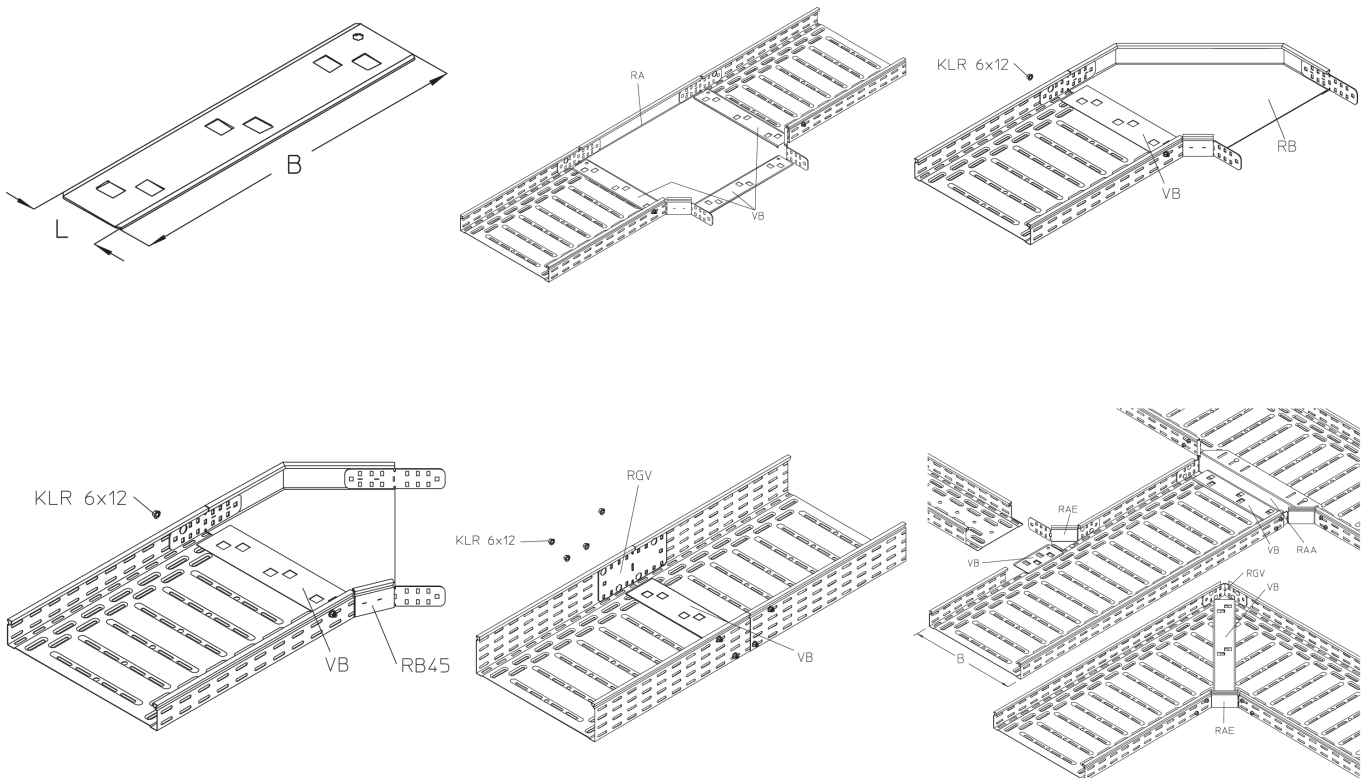
# PRODUCT INFORMATION

Stainless steel, according to ASTM 304 / BS 304 S 3

Products	B	L	weight
VB 10E	54 mm	70 mm	0,036 kg
VB 20E	155 mm	70 mm	0,107 kg
VB 30E	255 mm	70 mm	0,170 kg
VB 40E	355 mm	70 mm	0,248 kg
VB 50E	455 mm	70 mm	0,313 kg
VB 60E	555 mm	70 mm	0,384 kg

**B:** width  
**L:** length

## DETAIL AND APPLICATION IMAGES



Page 2



PohlCon GmbH  
Nobelstraße 51 | 12057 Berlin  
Telefon: +49 30 68283-04 | Fax: +49 30 68283-383 | [contact@pohlcon.com](mailto:contact@pohlcon.com)



# PRODUCT INFORMATION

---

