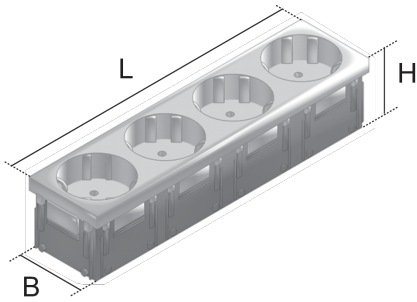


## UST45 4

Socket, 4x

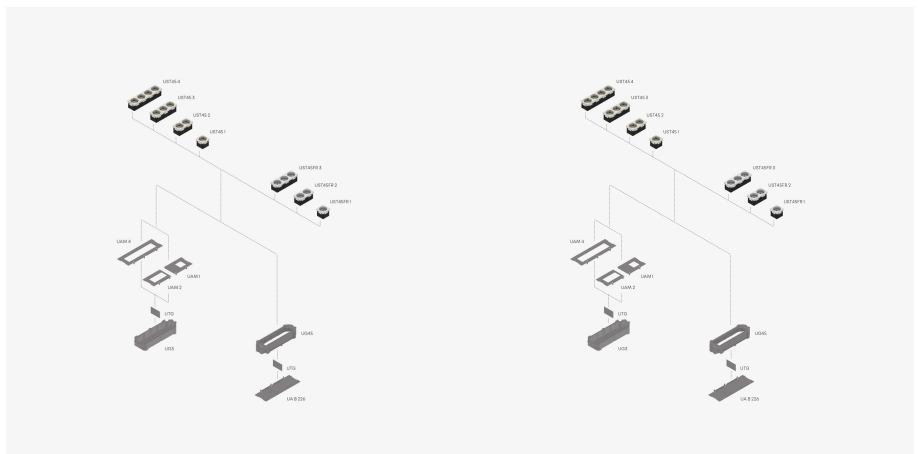
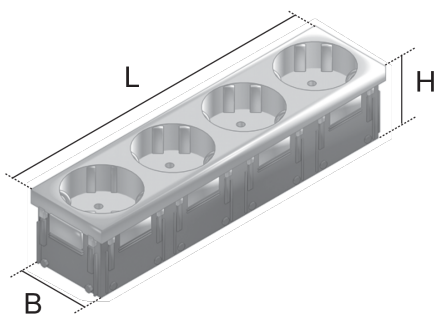
The UST45 4 components are one-piece, 4-way protective sockets in a 45x45 mm design. They can be inserted into the appropriate UAM cover plates using plug-in terminals. The sockets are made of high-quality polycarbonate and are available in different colours. The protective sockets have increased protection against accidental contact and are suitable for a rated voltage/current of AC 250 V, 10/16 A.



Products	H	B	L	color	plug angle	weight
UST45-R 4	40 mm	40 mm	180 mm	3000	45 °	0,132 kg
UST45-W 4	40 mm	40 mm	180 mm	9003	45 °	0,132 kg

**H:** height  
**B:** width  
**L:** length

## DETAIL AND APPLICATION IMAGES



## OPTIONAL ACCESSORIES

UAM 4

