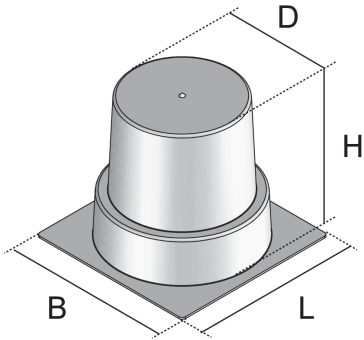


USK R122

Shuttering, round

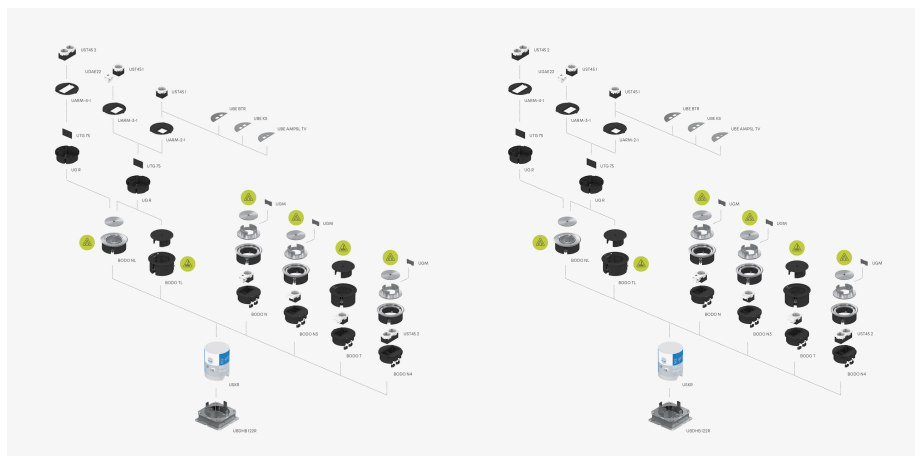
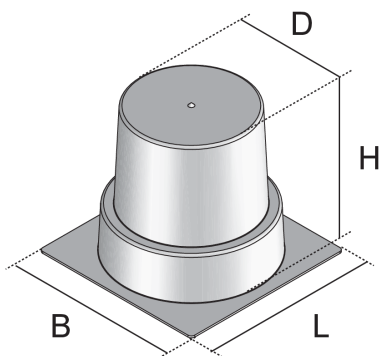
The USK R122 components are formwork bodies from the range of installation units for underfloor systems. These accessories are fixed to the raw concrete slab and used as moulds to form cavities in screed floors. These formwork bodies are suitable for installing single outlets. They are made of high-quality black polypropylene. They are 150 mm high, 180 mm across and 122 mm in diameter.



Products	H	B	L	D	color	W
USK-R122	150 mm	180 mm	180 mm	122 mm	SCHWARZ	0,054 kg

H: height
B: width
L: length
D: diameter
W: Weight per storage unit

DETAIL AND APPLICATION IMAGES



OPTIONAL ACCESSORIES

BODO N, BODO N3, BODO N4, BODO NL, BODO T, BODO TL

