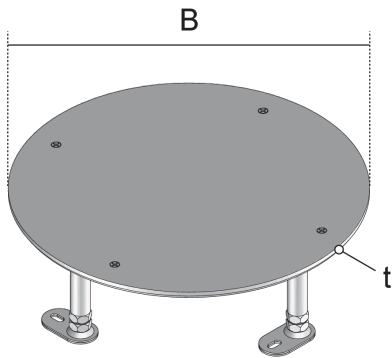


UNE 305R

Dummy cover, 3x, round



UNE 305R components are round dummy covers. These height-adjustable covers are protective covers for cartridge installation units with a maximum of three mounting boxes in UBDHB floor sockets and raised or false floor openings. The units are suitable for dry-cleaned rooms with office traffic loads. The products from the underfloor systems range are made of sendzimir hot-dip galvanised sheet steel 4 mm thick and have a max. load capacity of 2 kN. The dummy covers have installation dimensions of 307 mm and a minimum installation height of 90 mm.



Products	H_{min}	N	E	t	P_{max}	W
UNE 305R-90S	90 mm	55 mm	307 mm	4,00 mm	2,00 kN	3,305 kg

H_{min} : minimum installation height

N: levelling range

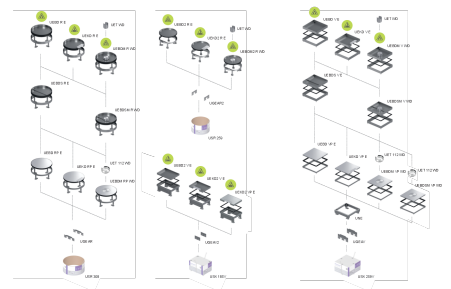
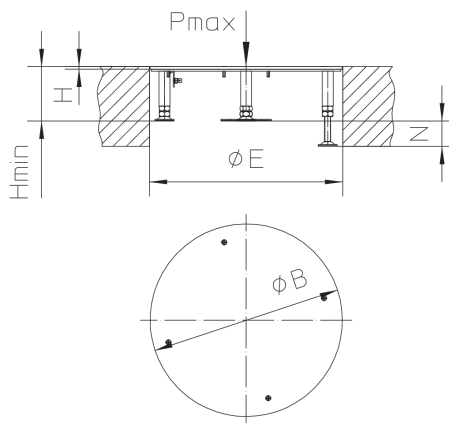
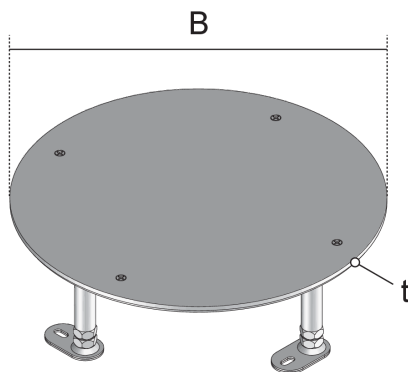
E: fitting dimension

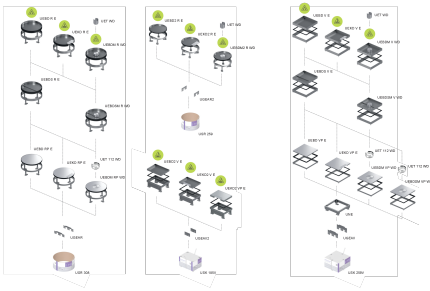
t: material thickness

P_{max} : maximum load

W: Weight per storage unit

DETAIL AND APPLICATION IMAGES





Load requirements according to, DIN EN 50085

