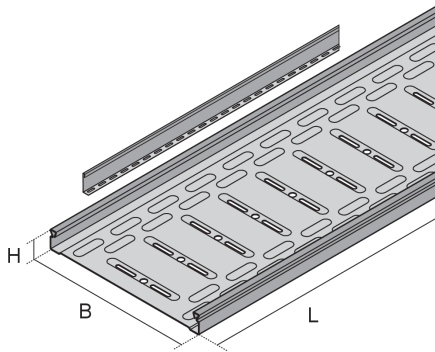


UKR 2

Cable duct base, two sections

The UKR 2 product is an open, two-section, screed-covered cable duct base that forms the lower part of the UKR underfloor duct system in conjunction with a separating strip. Both the bases and the separating strips are made of sendzimir hot-dip galvanized sheet steel in accordance with DIN EN 10346 and are supplied with the separating strip UKTR 35S and three nail anchors SNA 6x30/5. They are 35 mm high, 300 mm wide, 3000 mm long and are available with optional accessories.

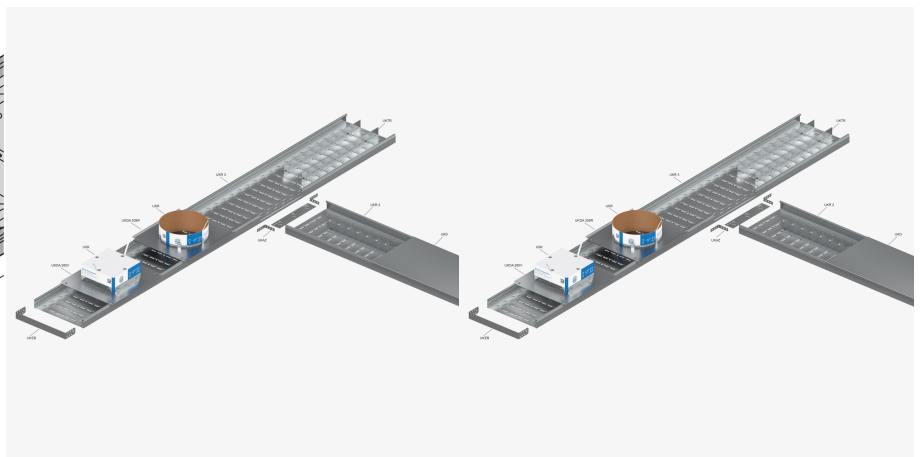
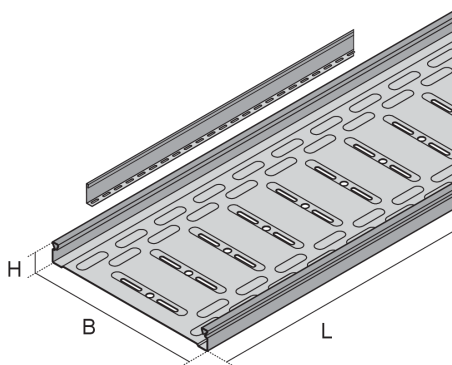


steel, continuously hot galvanized/Sendzimir process

Products	H	B	L	weight
UKR 35-30S	35 mm	300 mm	3000 mm	7,724 kg
incl.:				
1 x UKTR 35S, 3 x SNA 6X30/5				

H: height
B: width
L: length

DETAIL AND APPLICATION IMAGES



OPTIONAL ACCESSORIES

VB

