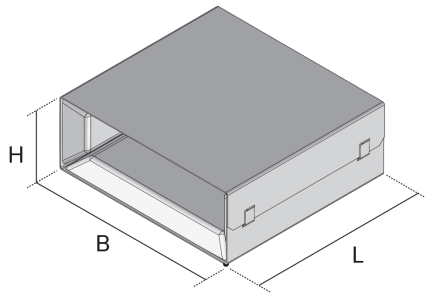


## UKBS CHALI

Fire-resistant partition

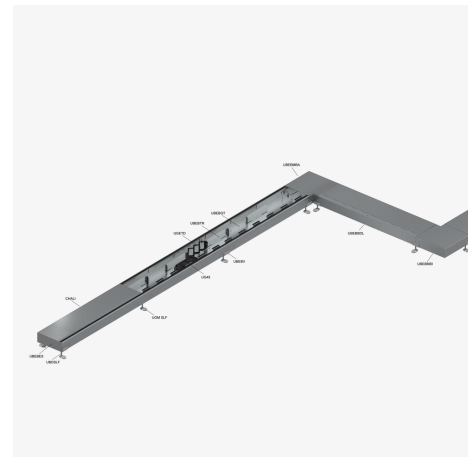
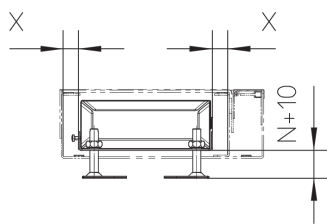
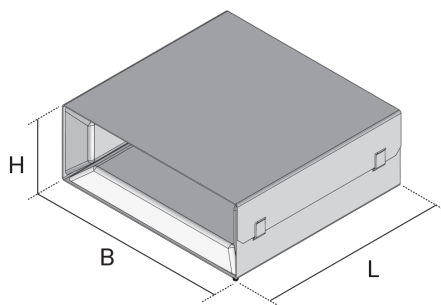


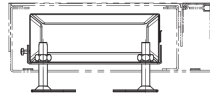
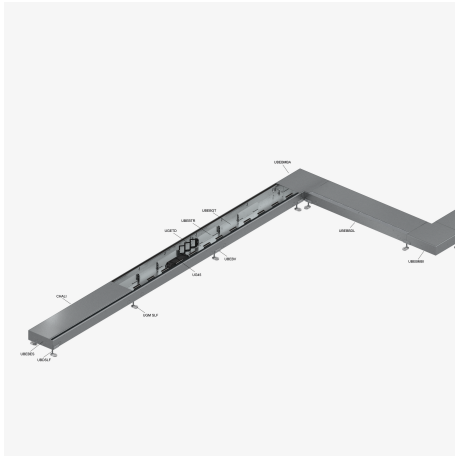
Fire protection bulkheads UKBS CHALI are essential components that maintain the robust functions of CHALI screed-flush brush ducts in the event of fire. The bulkheads are four-sided S30/S90 folding boxes to be installed in wall openings 90 mm high and 180 mm wide. They are made of sendzimir hot-dip galvanised sheet steel in accordance with DIN EN 10346 and are ideal for light partition and solid walls that are 100 mm thick or more. The duct fire protection components are 150 mm long, 160 mm wide and 60 mm high. The opening (inner dimension) is 35 mm high and 130 mm wide.

Products	H	B	L	E	weight
UKBS 35-130S	60 mm	160 mm	150 mm	180 x 90 mm	1,010 kg

**H:** height  
**B:** width  
**L:** length  
**E:** fitting dimension

## DETAIL AND APPLICATION IMAGES





## OPTIONAL ACCESSORIES

UBEBBS

