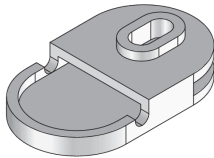


## UGM SLF

Subsonic noise sleeve socket - levelling support

UGM SLF articles are impact sound sleeves for screed-flush ducts. The products are used to decouple levelling bases from raw floor slabs. The sleeves are made of TPS/TPE, are halogen-free and have received VDE/TÜV approval in accordance with DIN EN 50085.



When using the UGM SLF, the levelling range is increased by 3 mm

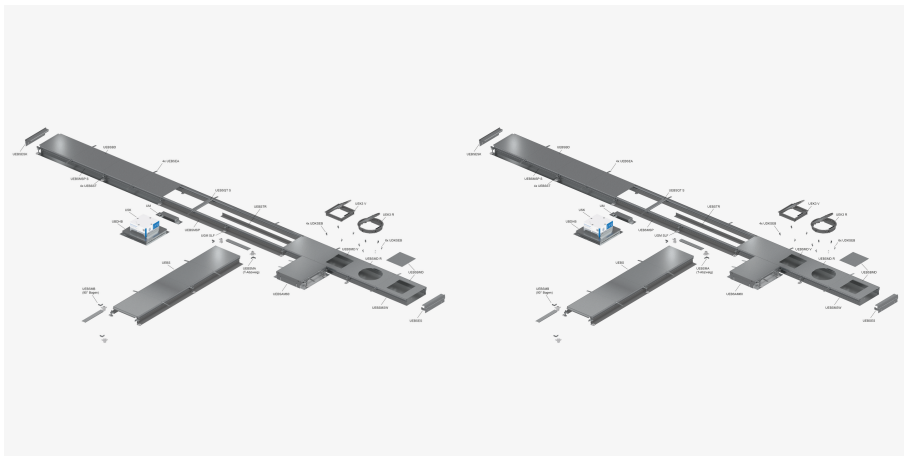
---

Products	W
UGM-SLF	0,010 kg

---

**W:** Weight per storage unit

## DETAIL AND APPLICATION IMAGES



## OPTIONAL ACCESSORIES

UEBS, CHALI, UNE, UBDSLIF



DIN

Load requirements according to, DIN EN 50085

