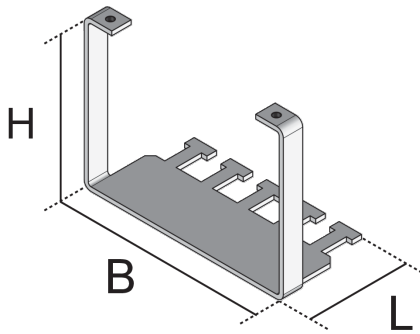


UGETD-UZ

Strain relief device

The UGETD-UZ component is a strain relief device from the underfloor systems range. These accessories are mechanical protection devices that are bolted into the boards of the installation devices and protect the electrical cables from being pulled out accidentally. The strain relief devices are made of sendzimir hot-dip galvanised sheet steel in accordance with DIN EN 10346.



Products	H	B	L	W
UGETD-UZ	54 mm	72 mm	34 mm	0,034 kg

H: height
B: width
L: length
W: Weight per storage unit

DETAIL AND APPLICATION IMAGES

