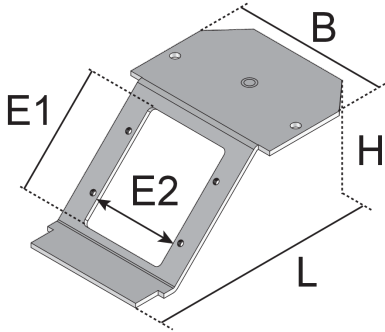


UGET 2 KM

Mounting box assembly carrier, audio/video technology



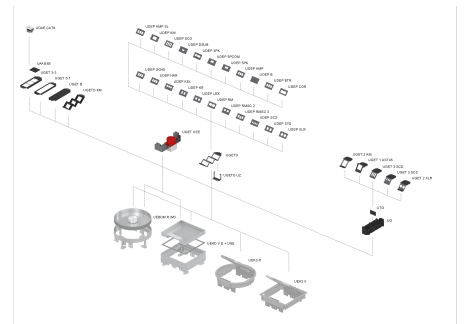
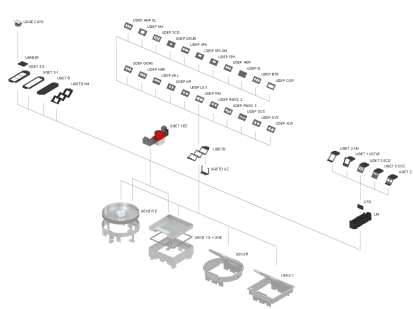
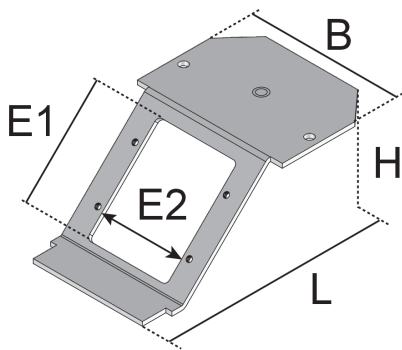
UGET 2 KM components are mounting box assembly carriers from the underfloor systems range. The installation supports are bolted into the UG mounting boxes and are used to accommodate a Kindermann 25x50 mm or 50x50 mm audio/video connection panel. The device carriers are made of sendzimir hot-dip galvanized sheet steel in accordance with DIN EN 10346 in black (similar to RAL 9011) and are available with installation dimensions of E1 48 mm and E2 38 mm.

steel, continously hot galvanized/Sendzimir process

Products	H	B	L	E1	E2	color	data jacks	weight
UGET-2-KM 113	42 mm	69 mm	107 mm	48 mm	38 mm	9011	1	0,090 kg

H: height
B: width
L: length
E1: fitting dimension E1
E2: fitting dimension E2
data jacks:

DETAIL AND APPLICATION IMAGES



OPTIONAL ACCESSORIES

UG

