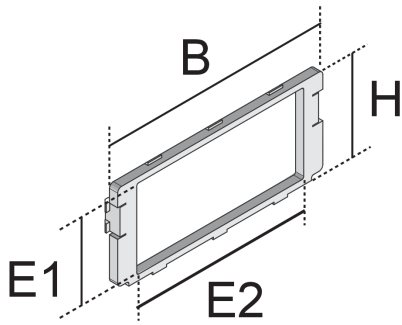


UGEE 2 UST S

Device panel, power technology

The UGEE 2 UST S components are device panels for power technology. They are snapped into a service outlet from the front and are used to accommodate up to two protective sockets with dimensions of 45x45 mm. The panels are made of high-quality polyamide in black (similar to RAL 9011).



Products	H	B	E1	E2	color	installation units/outlet socket	weight
UGEE-2-UST-S	46 mm	105 mm	40,5 mm	85,5 mm	9011	2	0,007 kg

H: height

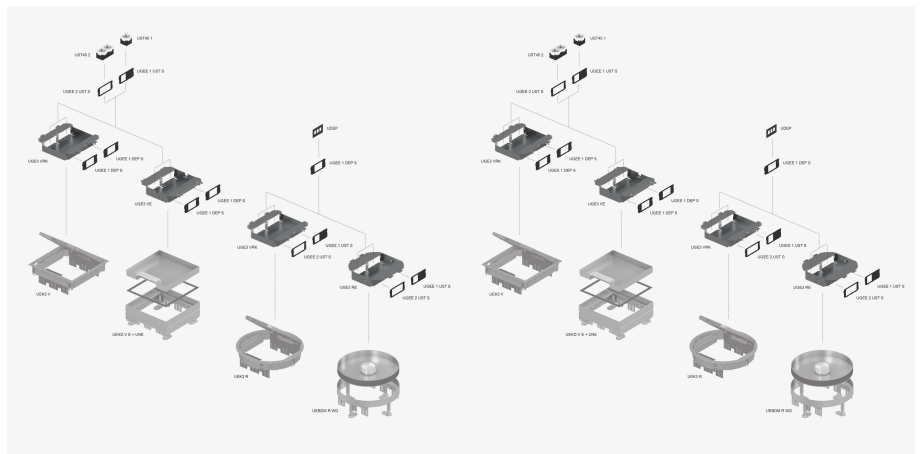
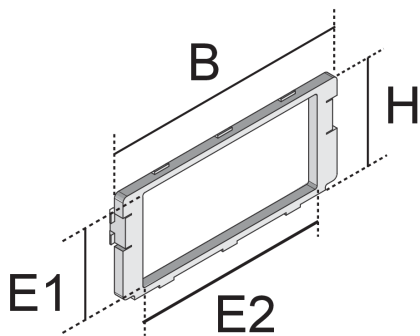
B: width

E1: fitting dimension E1

E2: fitting dimension E2

installation units/outlet socket: max. number of installation units

DETAIL AND APPLICATION IMAGES



OPTIONAL ACCESSORIES

UST45 1

