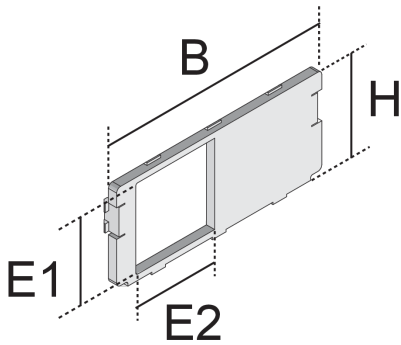


UGEE 1 UST S

Device panel, power technology

The UGEE 1 UST S components are device panels for power technology. They are snapped into the front of a service outlet and are used to accommodate a simple 0° Schuko socket with dimensions 45 x 45 mm. The panels are made of high-quality polyamide in black (similar to RAL 9011).



Products	H	B	E1	E2	color	installation units/outlet socket	W
UGEE-1-UST-S	46 mm	105 mm	40,5 mm	40,5 mm	RAL 9011 (graphite black)	1	0,008 kg

H: height

B: width

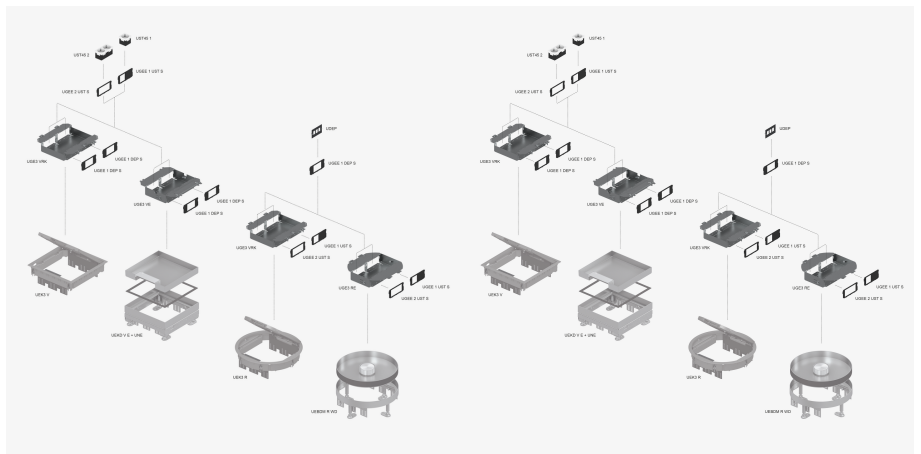
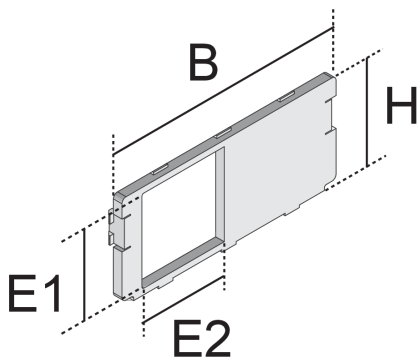
E1: fitting dimension E1

E2: fitting dimension E2

installation units/outlet socket: max. number of installation units

W: Weight per storage unit

DETAIL AND APPLICATION IMAGES



OPTIONAL ACCESSORIES

UST45 1

