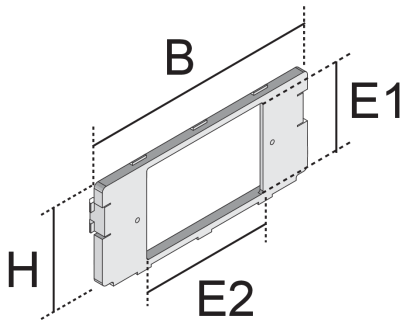


## UGEE 1 DEP S

Device panel, data technology



The UGEE 1 DEP S components are device panels from the range of service outlets for data technology. They are snapped into the front of the service outlet opposite the power technology flush with the bottom of the insert where they can be fitted with a UDEP installation board. The panels are made of high-quality polyamide in black (similar to RAL 9011).

Products	H	B	E1	E2	color	weight
UGEE-1-DEP-S	46 mm	105 mm	40,4 mm	59,5 mm	9011	0,009 kg

**H:** height  
**B:** width  
**E1:** fitting dimension E1  
**E2:** fitting dimension E2

## DETAIL AND APPLICATION IMAGES

