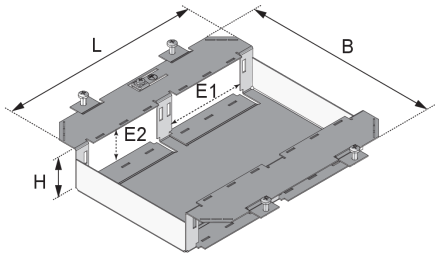


UGE3 VRK

Mounting box insert, 3x, for plastic units



The UGE3 VRK components are service outlets with side panels that can be bolted into plastic installation units suitable for up to three mounting boxes. The inserts can be equipped with up to four installation devices measuring 45x45 mm and up to 6 single data jacks. They are made of sendzimir hot-dip galvanised sheet steel.



Products	H	H _{min}	B	L	E1	E2	installation units/outlet socket	data jacks	weight
UGE3-VRK 4	48 mm	64 mm	222 mm	231 mm	90 mm	46 mm	4x 45x45 mm	6	0,547 kg
incl.:									
2 x BLS 4.8X16									

H: height

H_{min}: minimum installation height

B: width

L: length

E1: fitting dimension E1

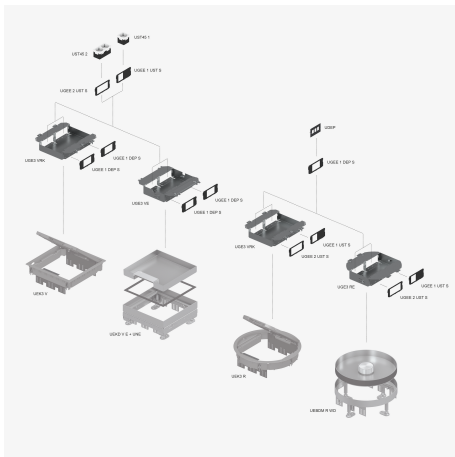
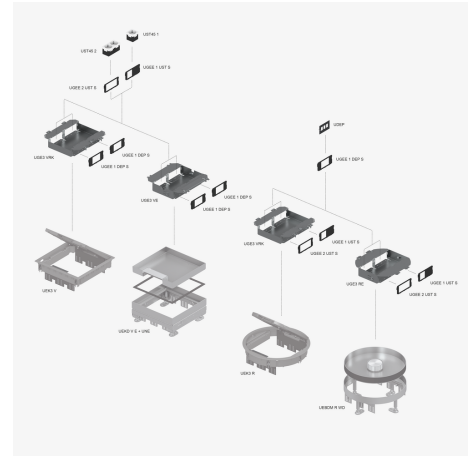
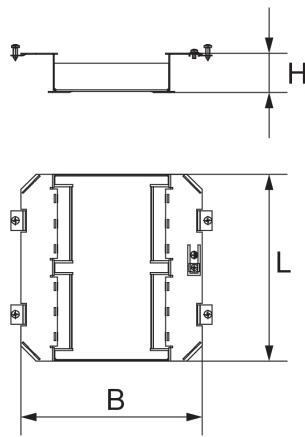
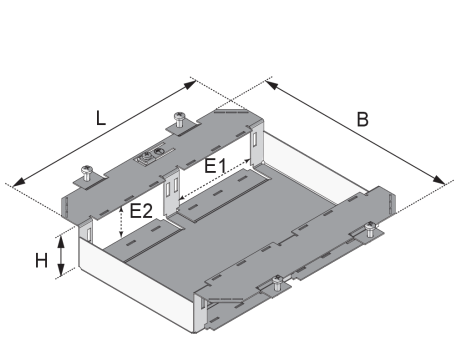
E2: fitting dimension E2

installation units/outlet socket: max. number of installation units

data jacks:

DETAIL AND APPLICATION IMAGES





OPTIONAL ACCESSORIES

UGEE 1 DEP S, UGEE 1 UST S, UGEE 2 UST S



Load requirements according to, DIN EN 50085

