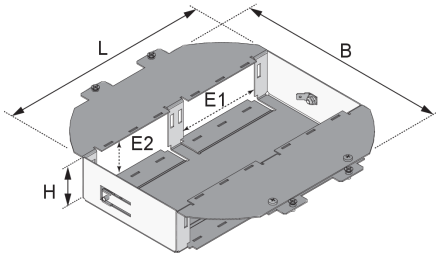


## UGE3 RE

Mounting box insert, 3x, for stainless steel units, round



The UGE3 RE components are service outlets with side panels that can be bolted into round stainless steel installation units suitable for a maximum of three mounting boxes. The inserts can be equipped with up to four installation devices measuring 45x45 mm and up to 6 single data jacks. They are made of sendzimir hot-dip galvanised sheet steel in accordance with DIN EN 10346.



Products	H	H <sub>min</sub>	B	L	E1	E2	installation units/outlet socket	data jacks	weight
UGE3-RE 4	47 mm	100 mm	235 mm	231 mm	90 mm	46 mm	4x 45x45 mm	6	0,566 kg

**H:** height

**H<sub>min</sub>:** minimum installation height

**B:** width

**L:** length

**E1:** fitting dimension E1

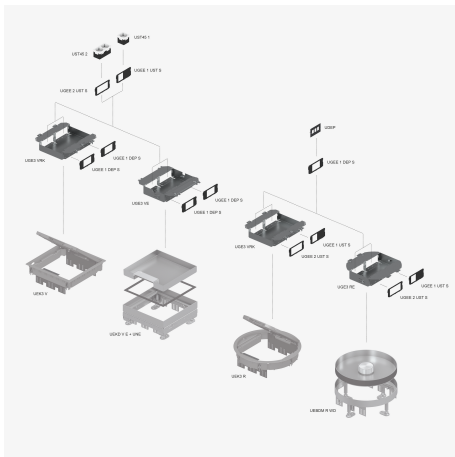
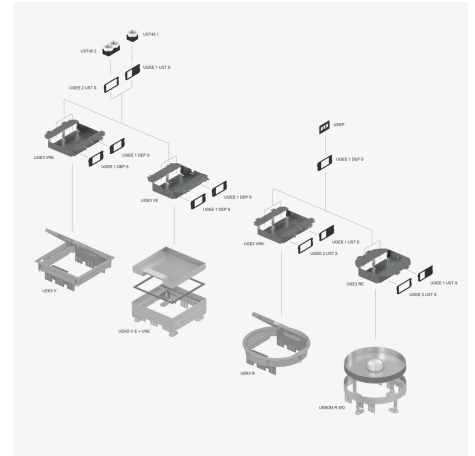
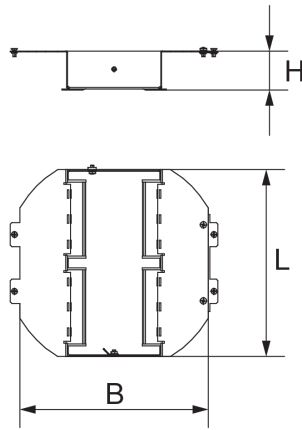
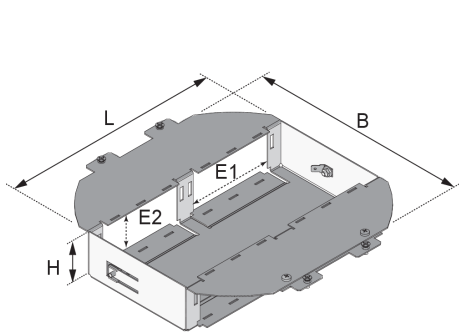
**E2:** fitting dimension E2

**installation units/outlet socket:** max. number of installation units

**data jacks:**

## DETAIL AND APPLICATION IMAGES





## OPTIONAL ACCESSORIES

UGEE 1 DEP S, UGEE 1 UST S, UGEE 2 UST S

**DIN**

Load requirements according to, DIN EN 50085

