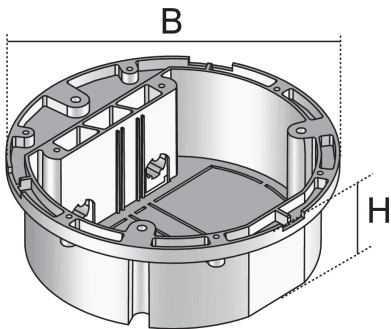


## UG R

Mounting boxes, round

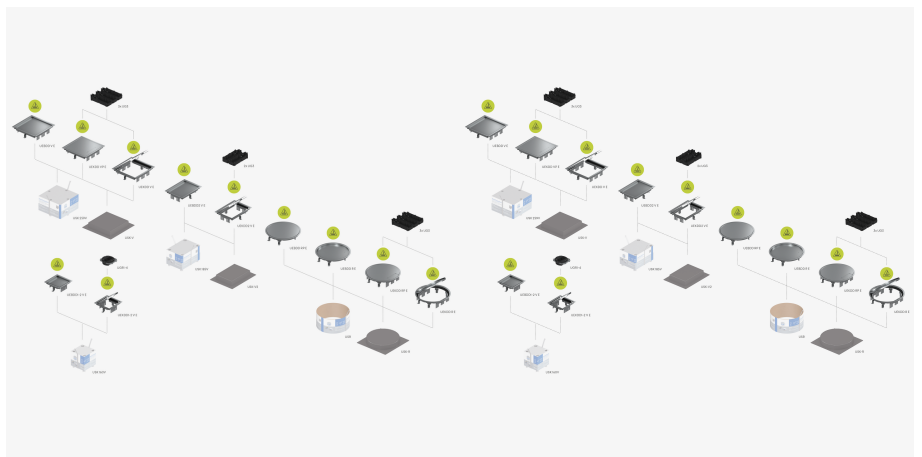
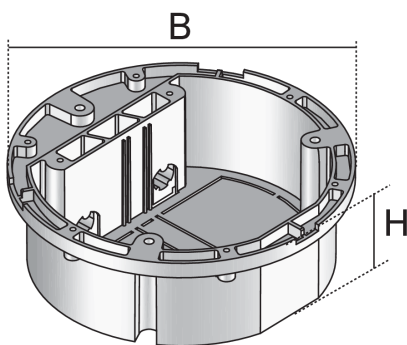


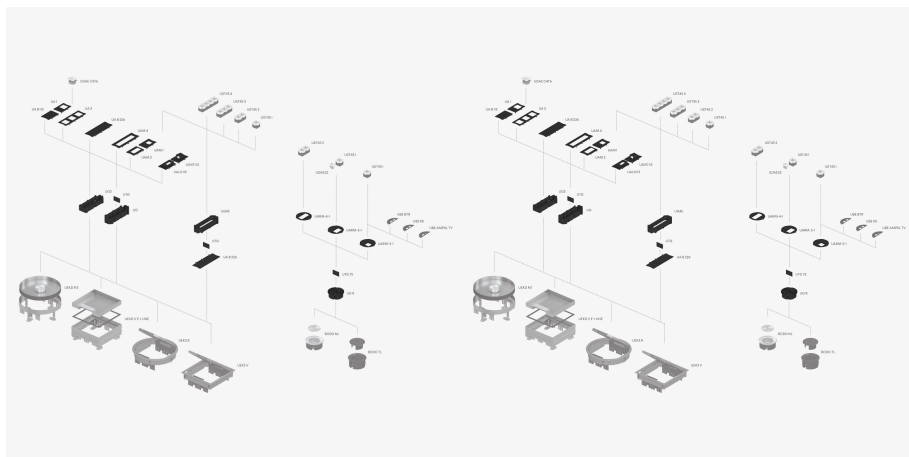
UG R components are round mounting boxes from the underfloor systems range that are used to accommodate installation devices. They are composed of a one-piece shell with a perforated base, two strain relief elements and two sheet metal screws. The mounting boxes can be bolted to BODO installation units or to angular, double single outlets and then fitted with single or double sockets. The mounting boxes are made of high-quality ABS copolymer (ABS) in graphite black (RAL 9011). They are 118 mm wide and 39 mm high.

Products	H	B	color	weight
UG-R	39 mm	118 mm	9011	0,070 kg
incl.:				
2 x BLS 2.9X32, 2 x UGZ-R				

**H:** height  
**B:** width

## DETAIL AND APPLICATION IMAGES





## OPTIONAL ACCESSORIES

UTG 75

