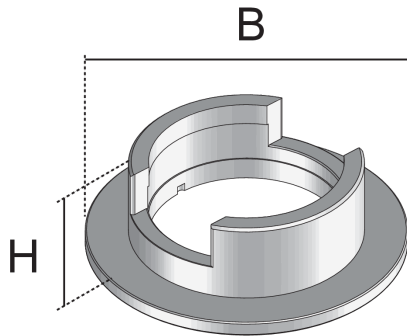


## UET80 WD

### Tube

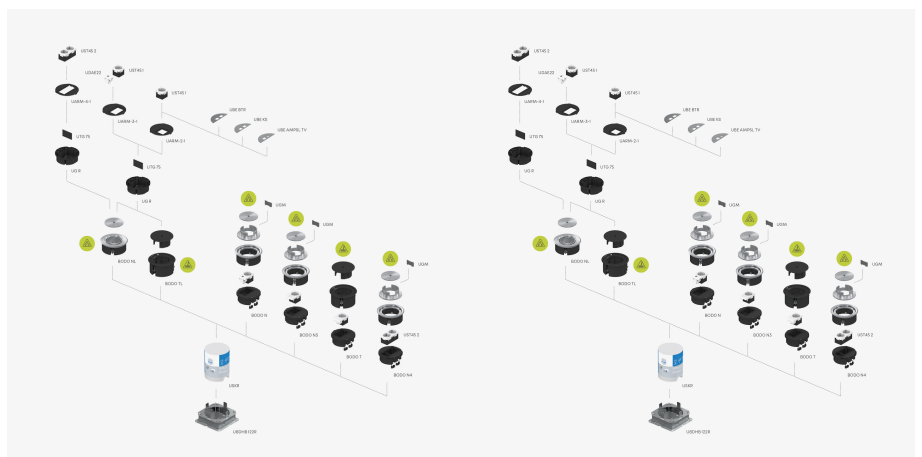
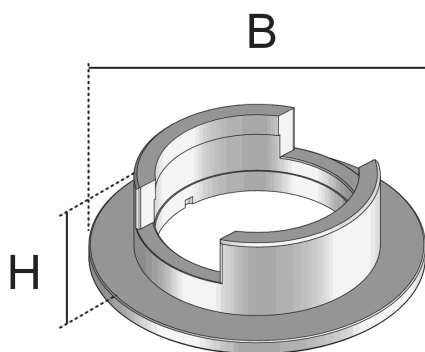


UET80 WD tubes are accessories from the product range of installation units for underfloor systems. This component is used as a raised cable outlet. It can be mounted in the single outlets from the BODO series to ensure secure routing of power and data cables. The tube is made of aluminium, brass or stainless steel, material no. 1.4301 (V2A), and comes in various finishes. The aluminium material variant is available in the finishes aluminium, black and chrome.

Products	color	W
UET80-R-WD	aluminium	0,168 kg
UET80-R-WD-CR	chrome	0,168 kg
UET80-R-WD-MMS	messing, massive	0,527 kg
UET80-R-WD-SW	black	0,168 kg
UET80-R-WD E	stainless steel, massive	0,493 kg

W: Weight per storage unit

## DETAIL AND APPLICATION IMAGES



## OPTIONAL ACCESSORIES

UETD80 WD

