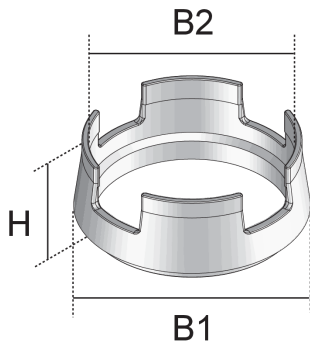


UET112 R MR

Tube



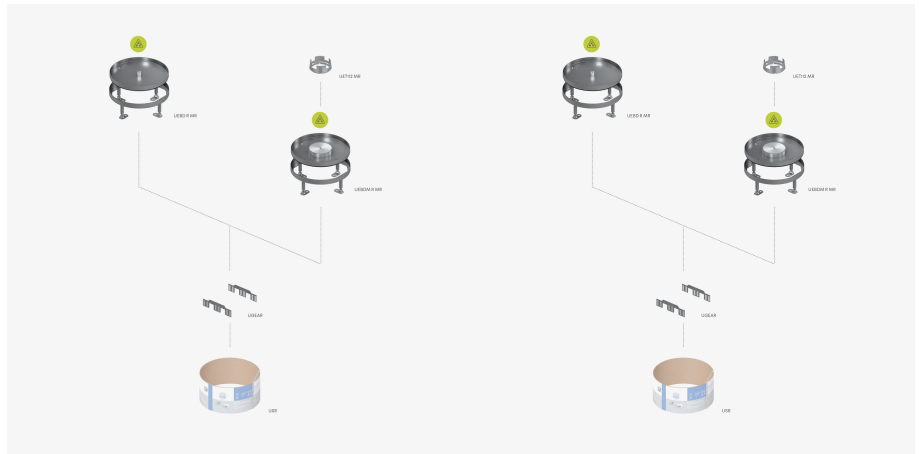
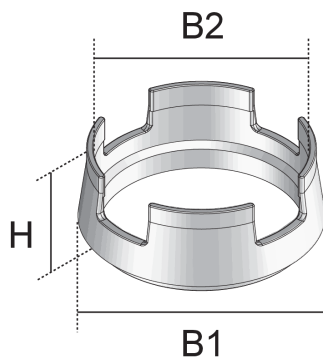
UET112 R MR are raised cable outlets that are screwed into a UEEDM MR machine cleaning unit with a tube mounting kit. The outlets are suitable for wet-cleaned floors in rooms with office traffic loads that are cleaned with floor cleaning machines. They are available in aluminium, stainless steel or natural anodised finish. The cable outlets are 39 mm high with widths of B1 112 mm and B2 94 mm.



Products	H	B	W
UET112-R-MR	45 mm	113 mm	0,155 kg

H: height
B: width
W: Weight per storage unit

DETAIL AND APPLICATION IMAGES



wet maintained

DIN

Load requirements according to, DIN EN 50085

