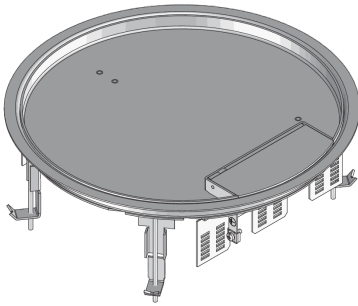


UEKDD R E

Stainless steel hinged cover cartridge, 3x, round



UEKDD R E products are round hinged cover cartridges for gradually lowering up to three mounting boxes by max. 30 mm. The installation units consist of a carpet protection frame with snap-in ladders, a hinged cover with floor-level cable outlet, UGD-R rubber seal and universal claw set UDBS 40-80. They are designed for dry-cleaned or damp-cleaned rooms with office traffic loads and are used in floor sockets, assembly covers and raised or false floor openings. The cartridges are made of stainless steel V2A and have an IP protection class of IP 30 in an unused condition, an IP protection class of IP 20 when used, an installation dimension of 307 mm and a maximum load capacity of 2 kN.



| Products | H | H _{min} | B | E | P _{max} | IP _g | IP _n | T | mounting box | W |
|--|-------|------------------|--------|--------|------------------|-----------------|-----------------|---------|--------------|----------|
| UEKDD 15-R E | 75 mm | 90 mm | 330 mm | 307 mm | 2,00 kN | IP 20 | IP 30 | 12,5 mm | 3 | 2,555 kg |
| incl.: 4 × UDBS 40-80, 1 × UGD-R 10-2 | | | | | | | | | | |
| UEKDD 25-R E | 85 mm | 100 mm | 330 mm | 307 mm | 2,00 kN | IP 20 | IP 30 | 22,5 mm | 3 | 2,820 kg |
| incl.: 4 × UDBS 40-80, 1 × UGD-R 10-2 | | | | | | | | | | |

H: height

H_{min}: minimum installation height

B: width

E: fitting dimension

P_{max}: maximum load

IP_g: IP protection level in used condition

IP_n: IP protection level in unused condition

T: Depth of flooring recess

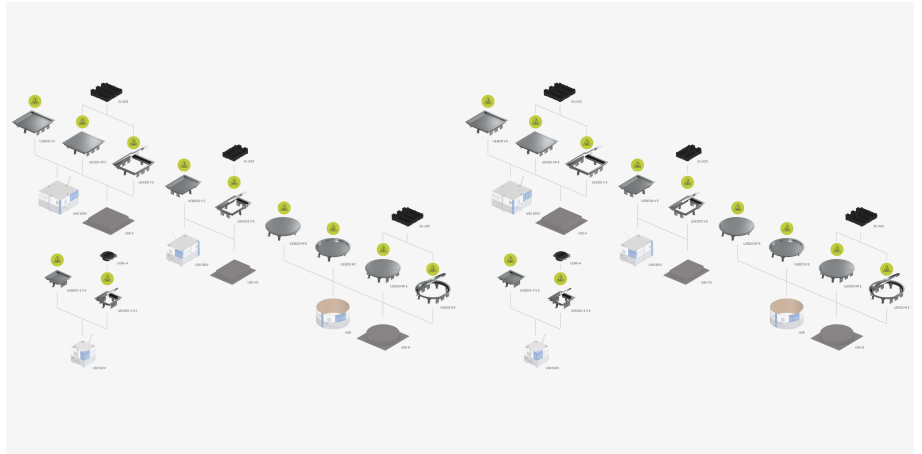
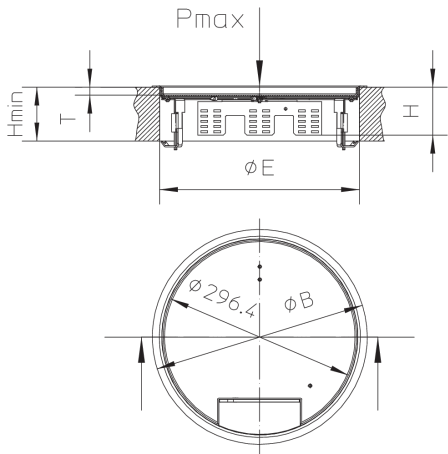
mounting box: maximum number of installable device casings

W: Weight per storage unit



PRODUCT INFORMATION

DETAIL AND APPLICATION IMAGES



OPTIONAL ACCESSORIES

UEKDE R



dry maintained



moistly maintained



Load requirements according to, DIN EN 50085

