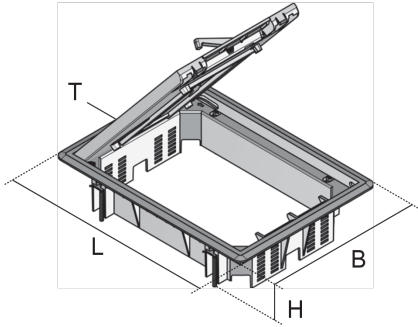


UEKD2 V

Plastic hinged cover unit, 2x, angular



UEKD2 V installation units are angular, plastic hinged cover units with carpet protection frame. They are used in dry-cleaned rooms in assembly covers, floor sockets and in raised or false floor openings. They are designed for office traffic loads and can be used to gradually lower two mounting boxes when supplemented with snap-in ladders. The units have floor-level, swivelling cable outlets, opening levers and universal claws. The covers and frames are made of polyamide in graphite black (RAL 9011) and iron grey (RAL 7011). They have an IP protection rating of IP 30 in an unused condition, an IP protection rating of IP 20 when used, a minimum installation height of 74 mm, a maximum load of 2 kN and installation dimensions of 261 x 186 mm.



Products	H	H _{min}	B	L	E	P _{max}	IP _g	IP _n	color	T	mounting box	W
UEKD2-V-G	65 mm	74 mm	206 mm	280 mm	261 x 186 mm	2,00 kN	IP-20	IP-30	7011	8 mm	2	1,321 kg
incl.:												
1 x UDKS-V 4												
UEKD2-V-S	65 mm	74 mm	206 mm	280 mm	261 x 186 mm	2,00 kN	IP-20	IP-30	9011	8 mm	2	1,321 kg
incl.:												
1 x UDKS-V 4												

H: height

H_{min}: minimum installation height

B: width

L: length

E: fitting dimension

P_{max}: maximum load

IP_g: IP protection level in used condition

IP_n: IP protection level in unused condition

T: Depth of flooring recess

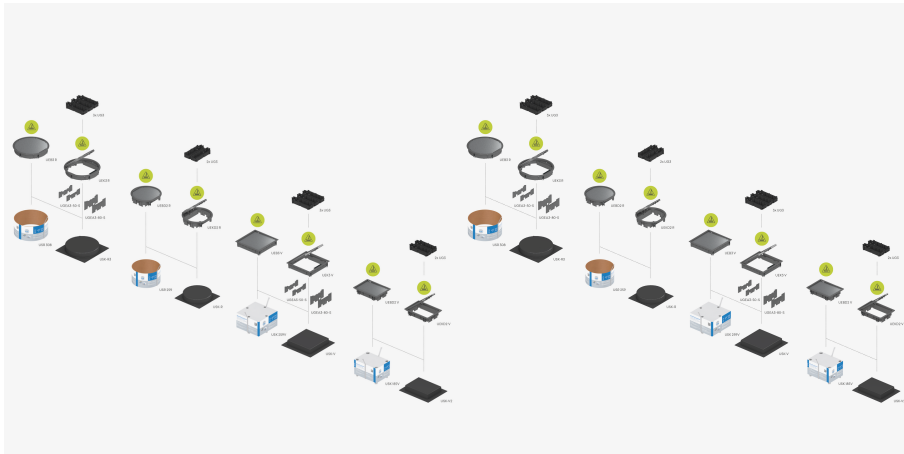
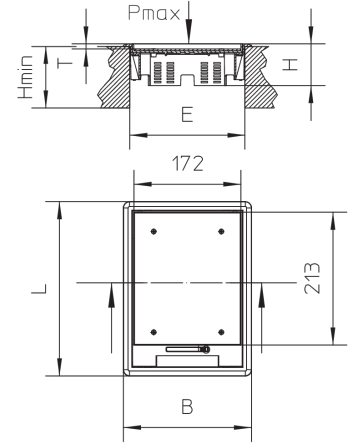
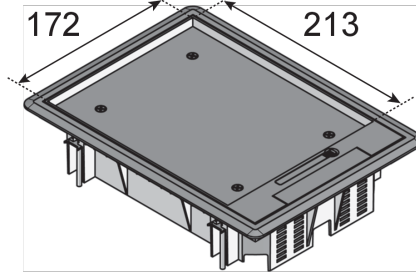
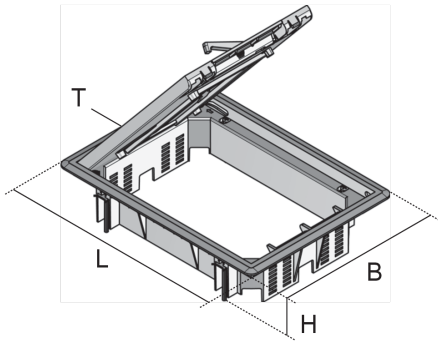
mounting box: maximum number of installable device casings



PRODUCT INFORMATION

W: Weight per storage unit

DETAIL AND APPLICATION IMAGES



OPTIONAL ACCESSORIES

UEKD V, UDKS 40-80, UDKSEB



dry maintained



Load requirements according to, DIN EN 50085

