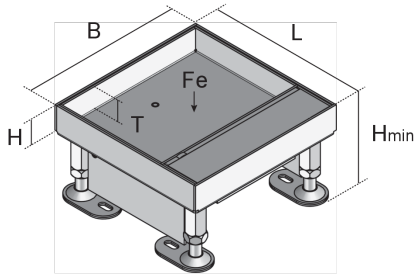


UEKD1-2 V E

Stainless steel hinged cover single outlet cartridge, 2x, angular



UEKD1-2 V E components are square hinged cover single outlet cartridges with abutting edges. The floor installation units consist of height-adjustable cartridge mounting frames with a cable outlet cartridge and floor-level cable outlets and are used to accommodate two installation devices. They are suitable for installation in floor sockets and raised or false floor openings in dry-cleaned rooms with office traffic loads. The cartridges and frames are made of stainless steel, material no. 1.4301 (V2A), and the substructures of hot-dip galvanised sheet steel. They have installation dimensions of 164 x 164 mm and an IP protection class of IP 30 in an unused condition.



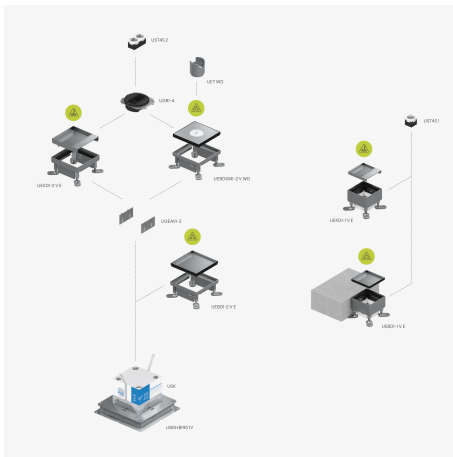
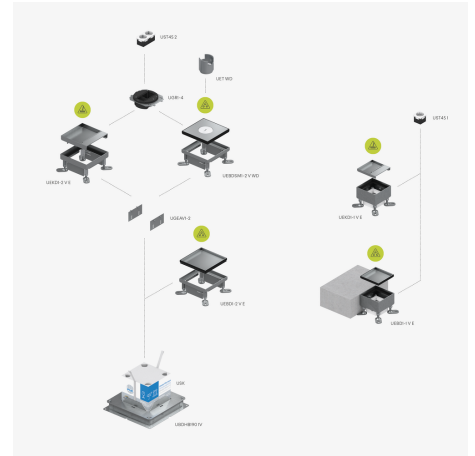
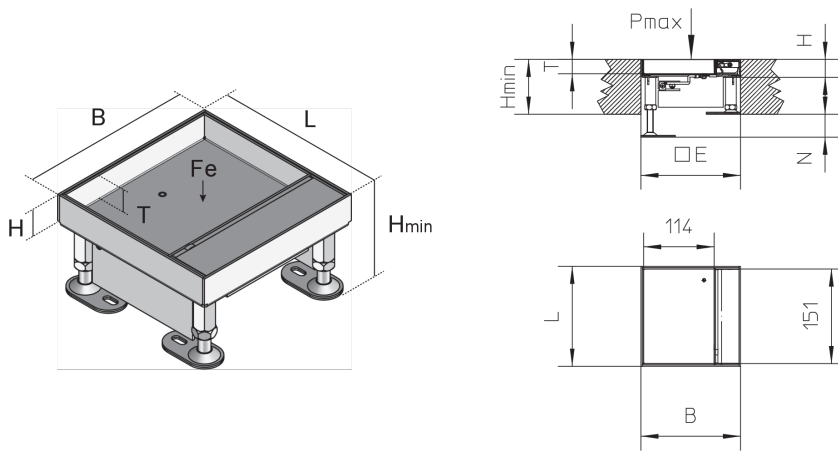
Products	H _{min}	N	E	P _{max}	IP _g	IP _n	W
UEKD1-2 15-V E	80 mm	45 mm	164 x 164 mm	2,00 kN	IP 20	IP 30	1,824 kg
UEKD1-2 25-V E	90 mm	45 mm	164 x 164 mm	2,00 kN	IP 20	IP 30	1,796 kg
UEKD1-2 25-V MS	90 mm	45 mm	164 x 164 mm	2,00 kN	IP 20	IP 30	2,306 kg

H_{min}: minimum installation height
N: levelling range
E: fitting dimension
P_{max}: maximum load
IP_g: IP protection level in used condition
IP_n: IP protection level in unused condition
W: Weight per storage unit

DETAIL AND APPLICATION IMAGES



PRODUCT INFORMATION



OPTIONAL ACCESSORIES

UGEAV1-2, UGR1-4



dry maintained



Load requirements according to, DIN EN 50085

