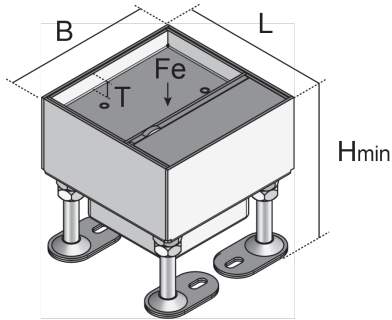


UEKD1-1 V E

Stainless steel hinged cover single outlet cartridge, 1x, angular



UEKD1-1 V E components are square hinged cover single outlet cartridges with abutting edges. The installation units consist of a height-adjustable cartridge mounting frame with cable outlet cartridge, floor-level cable outlet and a housing for an installation device. They are installed in screed or false floors of dry-cleaned or damp-cleaned rooms with office traffic loads. The cartridges and frames are made of stainless steel, material no. 1.4301 (V2A), and the substructures of hot-dip galvanised sheet steel. They have installation dimensions of 115 x 115 mm, an IP protection class of IP 30 in an unused condition and a levelling range of 20 mm.



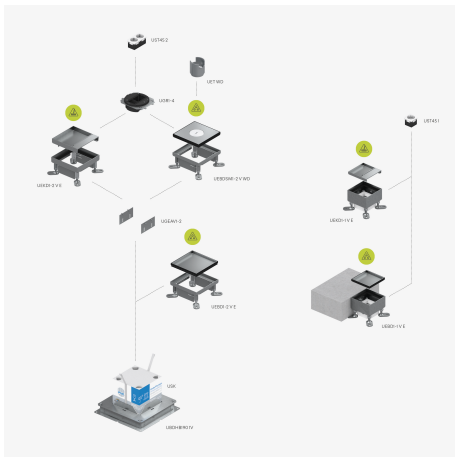
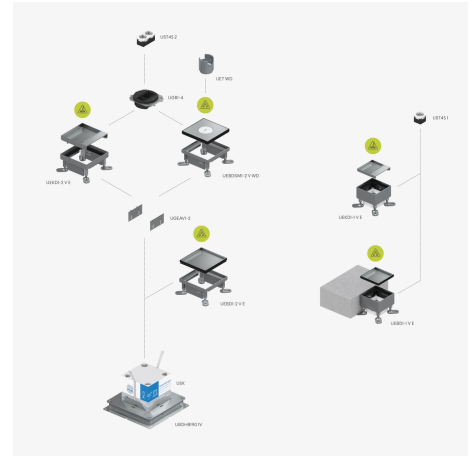
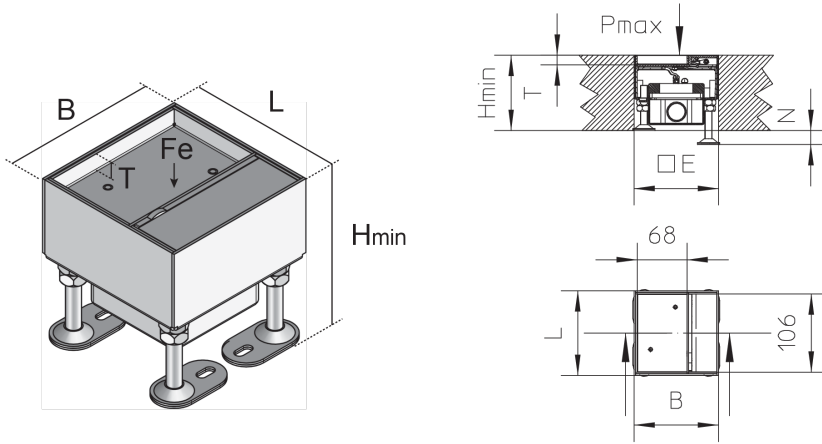
Products	H _{min}	N	E	P _{max}	IP _g	IP _n	W
UEKD1-1 15-V E	100 mm	20 mm	115 x 115 mm	2,00 kN	IP 20	IP 30	1,578 kg
incl.:							
1 x UGD1-1-V 2							

H_{min}: minimum installation height
N: levelling range
E: fitting dimension
P_{max}: maximum load
IP_g: IP protection level in used condition
IP_n: IP protection level in unused condition
W: Weight per storage unit

DETAIL AND APPLICATION IMAGES



PRODUCT INFORMATION



OPTIONAL ACCESSORIES

UST45 1, UDAE22



dry maintained



moistly maintained



Load requirements according to, DIN EN 50085

