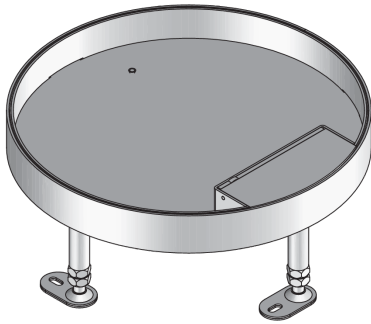


UEKD R E

Stainless steel hinged cover unit, 3x, round



UEKD R E installation units are round hinged cover units with abutting edges. They can accommodate a maximum of three mounting boxes. They consist of height-adjustable cartridge mounting frames with a cable outlet cartridge, an opening lever and a rubber seal and are suitable for dry-cleaned and damp-cleaned rooms with office traffic loads. They are installed in UBDHB floor sockets, assembly covers and raised or false floor openings. The components are made of stainless steel V2A. They have an IP protection class of IP 30 in an unused condition, a max. load capacity of 2 kN, an adjustment range of 55 mm, a min. installation height of 100 mm and installation dimensions of 307 mm.



Stainless steel, according to ASTM 304 / BS 304 S 3

Products	H	H _{min}	N	B	E	P _{max}	IP _g	IP _n	T	mounting box	W
UEKD 15-R E	19 mm	100 mm	55 mm	304 mm	307 mm	2,00 kN	IP-20	IP-30	12,5 mm	3	2,367 kg
incl.: 1 × UGD-R 10-2											
UEKD 25-R E	29 mm	110 mm	55 mm	304 mm	307 mm	2,00 kN	IP-20	IP-30	22 mm	3	2,872 kg
incl.: 1 × UGD-R 10-2											
UEKD 35-R E	38 mm	117 mm	55 mm	305 mm	307 mm	2,00 kN	IP-20	IP-30	30 mm	3	4,146 kg
incl.: 1 × UGD-R 10-2											

H: height
H_{min}: minimum installation height
N: levelling range
B: width
E: fitting dimension
P_{max}: maximum load
IP_g: IP protection level in used condition



PRODUCT INFORMATION

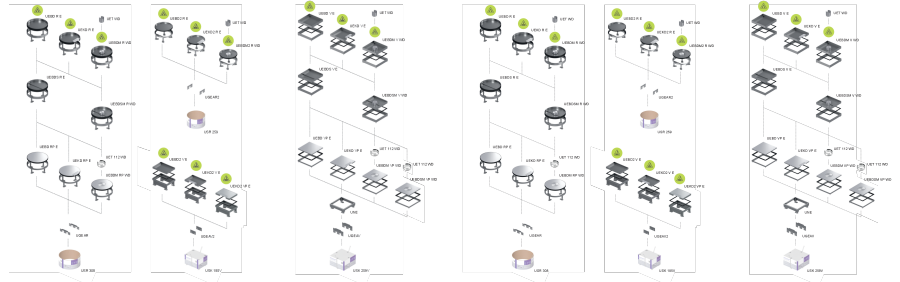
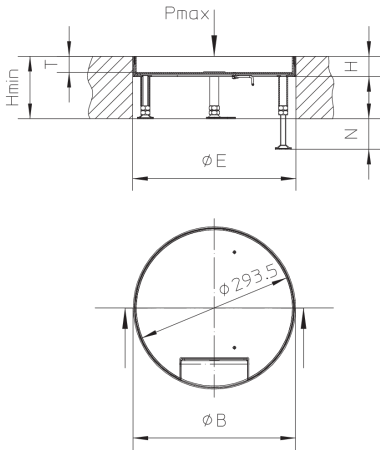
IP_n: IP protection level in unused condition

T: Depth of flooring recess

mounting box: maximum number of installable device casings

W: Weight per storage unit

DETAIL AND APPLICATION IMAGES



OPTIONAL ACCESSORIES

UEKDE R, UGEAR, UBDSLFL, UGM SLF



dry maintained



mostly maintained



Load requirements according to, DIN EN 50085

