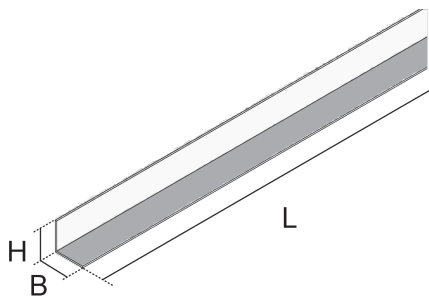


UEBSTR

Separating strip

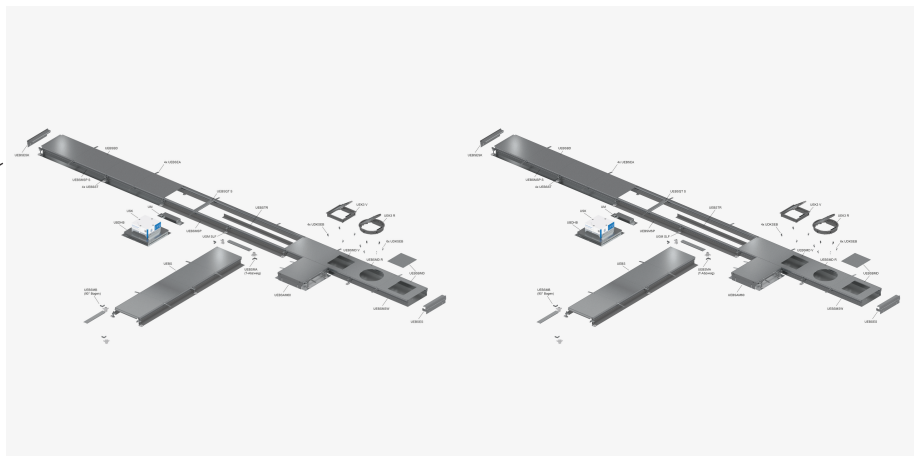
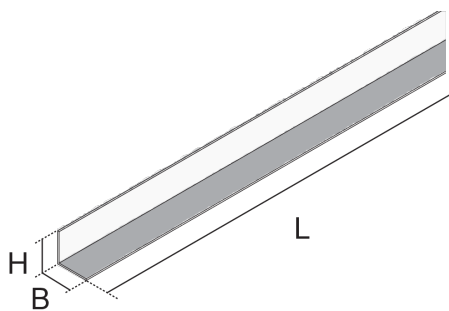
UEBSTR components are separating strips for screed-flush duct systems. They are bolted into the ducts where they safely separate the power cables from the other built-in elements such as data carriers or mounting boxes. The products are made of polyamide and are 2000 mm long.



Products	H	L	weight
UEBSTR 40	50 mm	2000 mm	0,497 kg

H: height
L: length

DETAIL AND APPLICATION IMAGES



Load requirements according to, DIN EN 50085

Page 1



PohlCon GmbH
Nobelstraße 51 | 12057 Berlin
Telefon: +49 30 68283-04 | Fax: +49 30 68283-383 | contact@pohlcon.com

