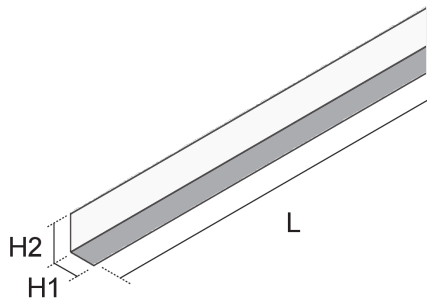


UEBSMSP

Side walls, plastic



UEBSMSP mounting components are side walls for screed-flush duct systems. UEBSMSP side walls are made of polyamide. The product solution consists of two rotatable profiles that are used in conjunction with the UEBSST levelling supports to adjust the height and form the sides of the ducts. The side walls are available in various heights and with various adjustment ranges. They are 2000 mm long and they have a minimum installation height of 60 or 100 mm.



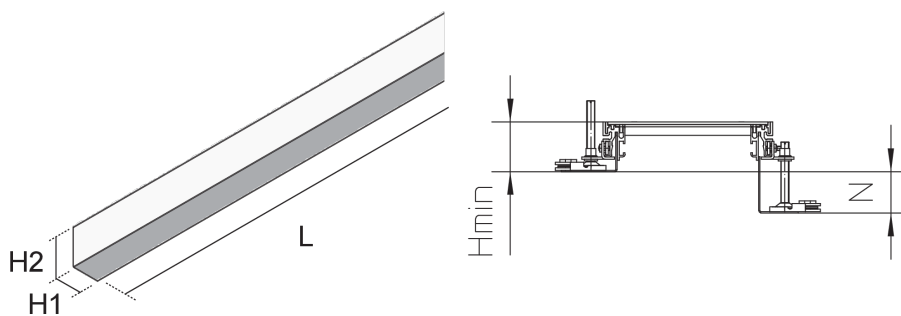
Products	H_{\min}	N	L	weight
UEBSMSP 60	60 mm	50 mm	2000 mm	1,000 kg
UEBSMSP 100	100 mm	50 mm	2000 mm	1,020 kg

H_{\min} : minimum installation height

N: levelling range

L: length

DETAIL AND APPLICATION IMAGES



DIN

Load requirements according to, DIN EN 50085

