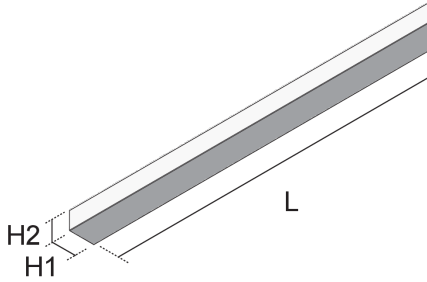


UEBSMSP S

Side walls, sheet steel



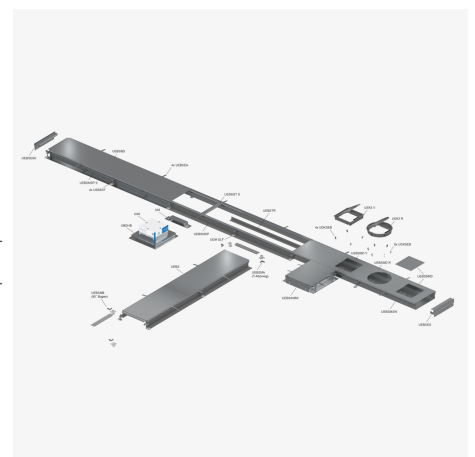
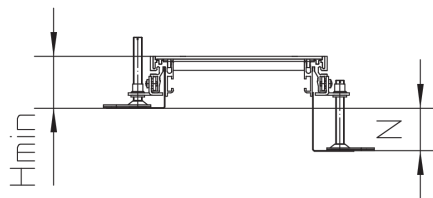
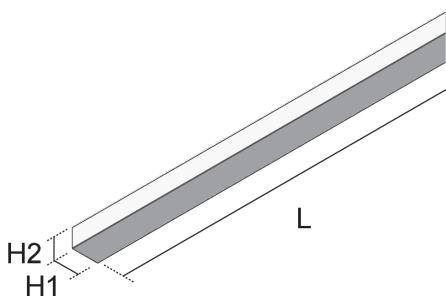
UEBSMSP S mounting components are side walls for screed-flush duct systems. UEBSMSP S side walls are made of steel. The product solution consists of two rotatable profiles that are used in conjunction with the UEBSST levelling supports to adjust the height and form the sides of the ducts. The side walls are available in various heights and with various adjustment ranges. They are 2000 mm long and they have a minimum installation height of 60 or 100 mm.



Products	H _{min}	N	L	weight
UEBSMSP 60S	60 mm	50 mm	2000 mm	2,700 kg
UEBSMSP 100S	100 mm	50 mm	2000 mm	4,584 kg
UEBSMSP 150S	100 mm	80 mm	2000 mm	5,290 kg
UEBSMSP 180S	100 mm	110 mm	2000 mm	5,998 kg

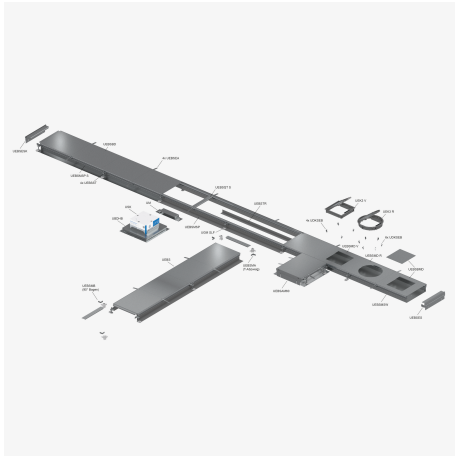
H_{min}: minimum installation height
 N: levelling range
 L: length

DETAIL AND APPLICATION IMAGES



Page 1





DIN

Load requirements according to, DIN EN 50085

