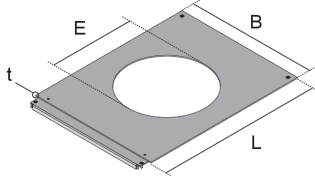


UEBSMD 260R

Assembly cover, round



UEBSMD components are assembly covers for screed-flush duct systems. These products are made of sendzimir hot-dip galvanised sheet steel (DIN EN 10346), have round or square openings and come in a range of sizes. The articles are suitable for typical office loads. They can alternatively be installed with a dummy cover to accommodate a single BODO outlet or in combination with plastic installation units for two to three mounting boxes. The assembly covers have a VDE approval according to DIN EN 50085 and are supplied with two galvanised (in line with DIN EN ISO 4042) countersunk sheet metal bolts BSS 4.8 x 16.



Products	B	L	E	t	mounting box	weight
UEBSMD-260R 40S	400 mm	500 mm	260 mm	3,00 mm	2	4,295 kg
incl.:						
2 x BSS 4.8X16						

B: width

L: length

E: fitting dimension

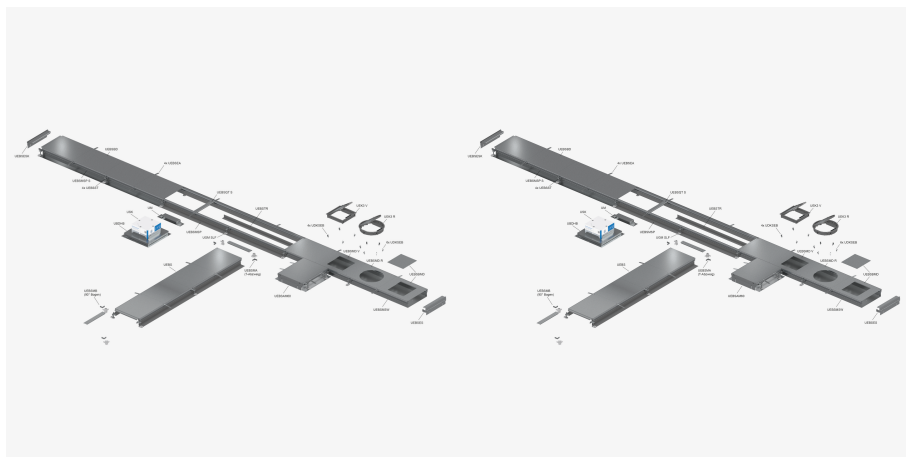
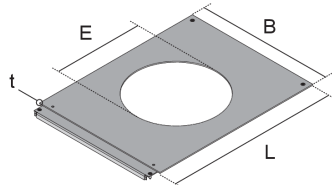
t: material thickness

mounting box: maximum number of installable device casings

DETAIL AND APPLICATION IMAGES



PRODUCT INFORMATION



DIN

Load requirements according to, DIN EN 50085

