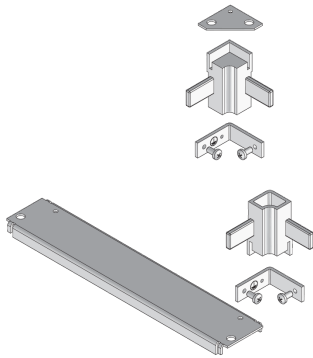


UEBSMB

Mounting kit 90° bend



UEBSMB products are 90° bend installation kits. To install the screed-flush duct systems, the duct sections are pushed together and connected using the bend installation sets and then bolted together using the corner connectors supplied. For the final assembly of the 90° bend, transverse cross-beams are inserted to additionally support the cover joints. The components of the sets are made of sendzimir hot-dip galvanised sheet steel in accordance with DIN EN 10346. They come with the following additional components: transverse cross-beam with countersunk sheet metal bolts, corner connector plate and corner connectors with button head screws.

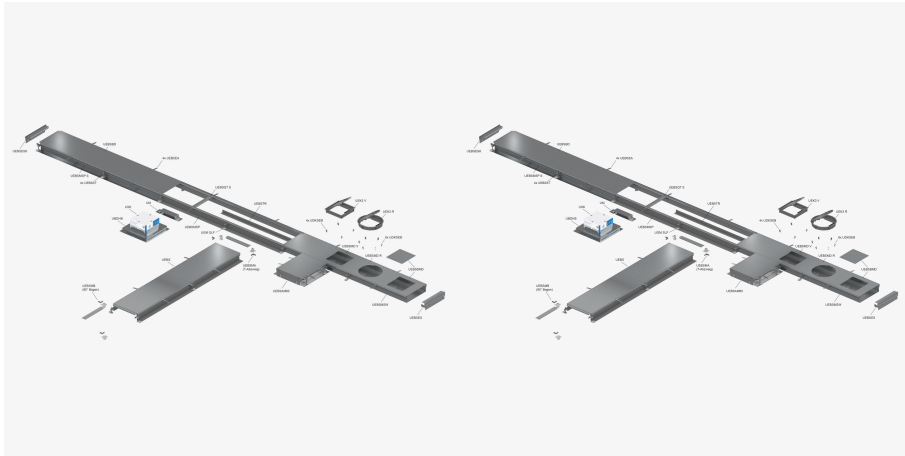


Products		W
UEBSMB 20S	90 °	0,355 kg
incl.:		
1 × UEBSQT 20S, 1 × UEBSVMB S, 2 × UEBSVE S, 2 × UEBSV		
UEBSMB 30S	90 °	0,464 kg
incl.:		
1 × UEBSQT 30S, 1 × UEBSVMB S, 2 × UEBSVE S, 2 × UEBSV		
UEBSMB 40S	90 °	1,063 kg
incl.:		
1 × UEBSQT 40S, 1 × UEBSVMB S, 2 × UEBSVE S, 2 × UEBSV		
UEBSMB 50S	90 °	1,309 kg
incl.:		
1 × UEBSVMB S, 2 × UEBSV, 2 × UEBSVE S, 1 × UEBSQTF 50S		

W: Weight per storage unit

DETAIL AND APPLICATION IMAGES





DIN

Load requirements according to, DIN EN 50085

