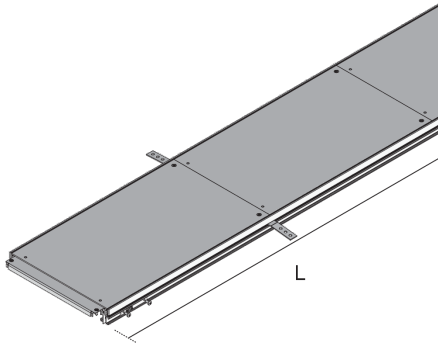


## UEBS

### Screed-covered duct, one section



UEBS underfloor duct systems are screed-flush ducts made of sendzimir hot-dip galvanised sheet steel (DIN EN 10346) with removable, hot-dip galvanised sheet steel covers. The side profiles are made of sheet steel in the standard version or plastic in the impact sound decoupling version. A closed tray version is also available for routing IT cables. They have a minimum installation height of 60 mm, are 2000 mm long and have a levelling range of 90 mm. The ducts are available in widths from 200 to 500 mm. The systems have a VDE approval (DIN EN 50085) and consist of a duct UEBS, two UEBSMSP side walls or a UEBSMSW tray and four UEBSST levelling supports.



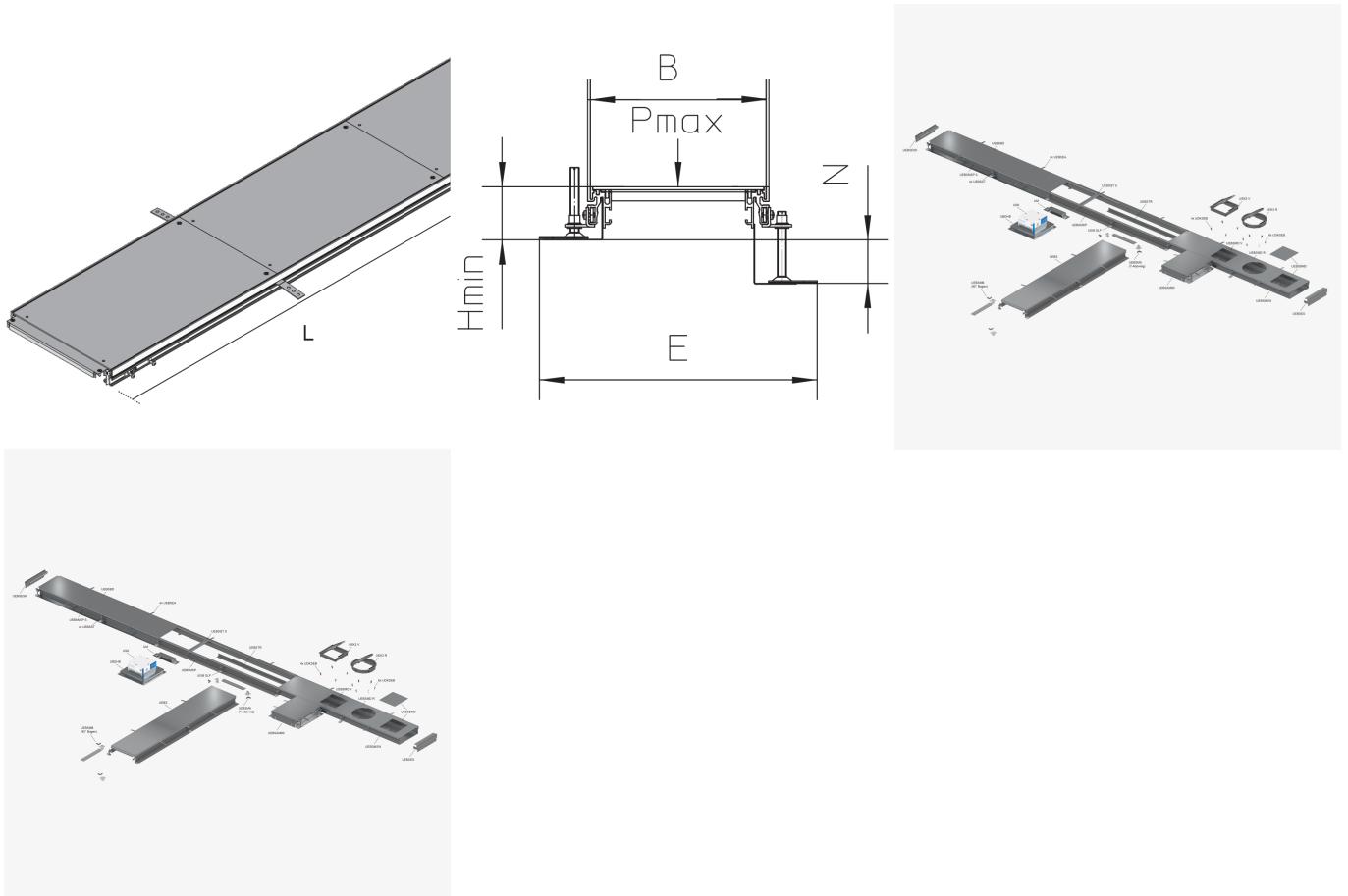
Products	H <sub>min</sub>	N	B	L	E	t	P <sub>max</sub>	IP <sub>n</sub>	weight
UEBS 20S	60 mm	90 mm	200 mm	2000 mm	400 mm	3,00 mm	3,00 kN	IP-30	15,141 kg
incl.:									
2 x UEBSPT-3 AL, 1 x UEBSSE, 4 x UEBSSEA, 4 x UEBSD 20S									
UEBS 30S	60 mm	90 mm	300 mm	2000 mm	500 mm	3,00 mm	3,00 kN	IP-30	20,297 kg
incl.:									
2 x UEBSPT-3 AL, 1 x UEBSSE, 4 x UEBSSEA, 4 x UEBSD 30S									
UEBS 40S	60 mm	90 mm	400 mm	2000 mm	600 mm	3,00 mm	3,00 kN	IP-30	25,457 kg
incl.:									
2 x UEBSPT-3 AL, 1 x UEBSSE, 4 x UEBSSEA, 4 x UEBSD 40S									
UEBS 50S	60 mm	90 mm	500 mm	2000 mm	700 mm	3,00 mm	3,00 kN	IP-30	30,863 kg
incl.:									
2 x UEBSPT-3 AL, 1 x UEBSSE, 4 x UEBSSEA, 4 x UEBSD 50S									

**H<sub>min</sub>**: minimum installation height  
**N**: levelling range  
**B**: width  
**L**: length  
**E**: fitting dimension  
**t**: material thickness  
**P<sub>max</sub>**: maximum load  
**IP<sub>n</sub>**: IP protection level in unused condition



# PRODUCT INFORMATION

## DETAIL AND APPLICATION IMAGES



## OPTIONAL ACCESSORIES

UEBSMSP, UEBSMSP S, UEBSMSW, UEBSST, UEBSQT, UEBSQT S, UEBSQTF S



dry maintained



moistly maintained



Load requirements according to, DIN EN 50085

