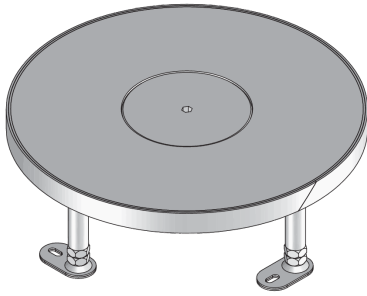


## UEBDSM RP WD

Stainless steel heavy-duty tube cover unit, 3x, round, flat



UEBDSM RP WD are round heavy-duty tube cover units that accommodate a maximum of three mounting boxes. They consist of a height-adjustable cartridge mounting frame with a tube outlet cartridge, a bolted tube mounting kit and a rubber seal. The units are suitable for installation in UBDHB floor sockets, assembly covers and raised or false floor openings in wet-cleaned rooms with office traffic loads. Both the cartridges and the tube covers and frames are made of stainless steel V2A. The units have an IP protection class of IP 54 in an unused condition. They have a maximum load capacity of 20.00 kN, an adjustment range of 55 mm, an installation dimension of 307 mm and a minimum installation height of 100 mm.



Stainless steel, according to ASTM 304 / BS 304 S 3

Products	H	H <sub>min</sub>	N	E	P <sub>max</sub>	IP <sub>g</sub>	IP <sub>n</sub>	T	mounting box	W
UEBDSM 15-RP8-WD	21 mm	100 mm	55 mm	307 mm	20 kN	IP-22	IP-54	0 mm	3	8,528 kg
incl.:										
1 × UGDB15-R300 1.8, 1 × UGD-R 10-2, 1 × UETD112-R-WD										

**H:** height

**H<sub>min</sub>:** minimum installation height

**N:** levelling range

**E:** fitting dimension

**P<sub>max</sub>:** maximum load

**IP<sub>g</sub>:** IP protection level in used condition

**IP<sub>n</sub>:** IP protection level in unused condition

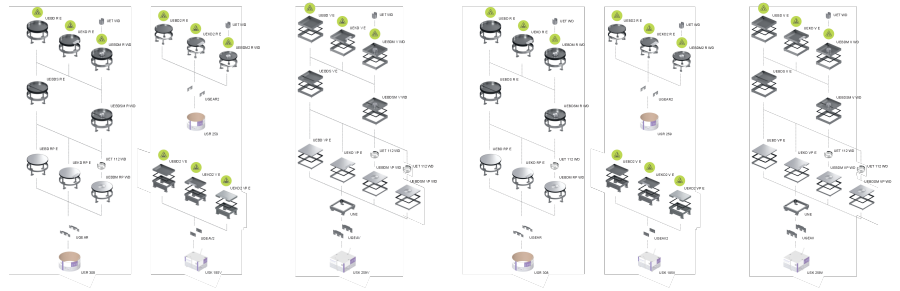
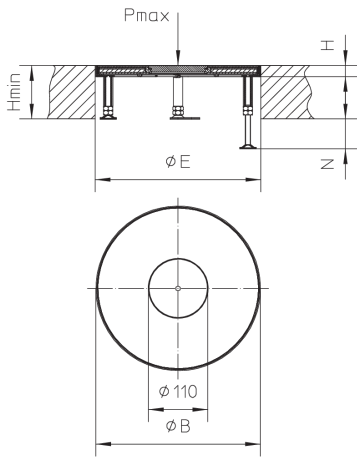
**T:** Depth of flooring recess

**mounting box:** maximum number of installable device casings

**W:** Weight per storage unit

## DETAIL AND APPLICATION IMAGES





## OPTIONAL ACCESSORIES

UET112 WD, UGEAR, UBDSLIF, UGM SLF



wet maintained



Load requirements according to, DIN EN 50085

