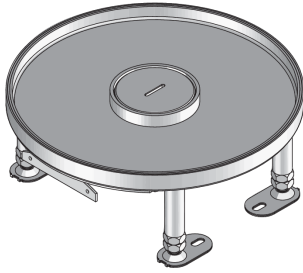


UEBDM2 R WD

Stainless steel tube cover unit, 2x, round



UEBDM2 R WD components are round tube cover units with abutting edges. They can accommodate a maximum of two mounting boxes. They consist of a height-adjustable cartridge mounting frame with a tube outlet cartridge, a bolted mounting kit and a rubber seal. The units are suitable for installation in UBDHB floor sockets, assembly covers and raised or false floor openings in wet-cleaned rooms with office traffic loads. Cassette and frame are made of stainless steel V2A and the mounting set is aluminium. They have an IP protection class of IP 54 in an unused condition, a maximum load capacity of 2 kN, an adjustment range of 55 mm, an installation dimension of 260 mm and a minimum installation height of 100 mm.



Stainless steel, according to ASTM 304 / BS 304 S 3

Products	H	H _{min}	N	E	P _{max}	IP _g	IP _n	T	mounting box	W
UEBDM2 15-R-WD	18 mm	100 mm	55 mm	260 mm	2,00 kN	IP-22	IP-54	12,5 mm	2	2,136 kg
incl.: 1 × UGDB15-R300 1.8, 1 × UGD2-R 10-2, 1 × UETD-R-WD										
UEBDM2 25-R-WD	28 mm	110 mm	55 mm	260 mm	2,00 kN	IP-22	IP-54	22,5 mm	2	2,574 kg
incl.: 1 × UGDB15-R300 1.8, 1 × UGD2-R 10-2, 1 × UETD-R-WD										

H: height

H_{min}: minimum installation height

N: levelling range

E: fitting dimension

P_{max}: maximum load

IP_g: IP protection level in used condition

IP_n: IP protection level in unused condition

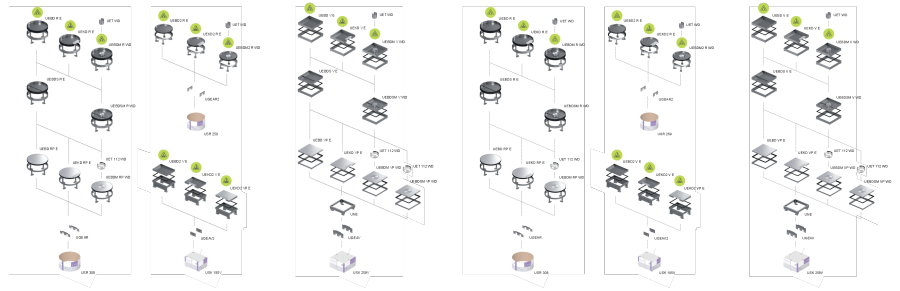
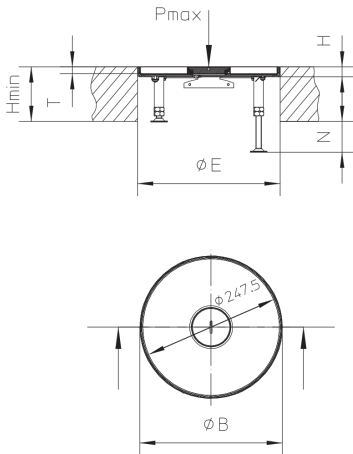
T: Depth of flooring recess

mounting box: maximum number of installable device casings

W: Weight per storage unit



DETAIL AND APPLICATION IMAGES



OPTIONAL ACCESSORIES

UGEAR2, UET WD, UBDSLFL, UGM SLF



wet maintained



Load requirements according to, DIN EN 50085

