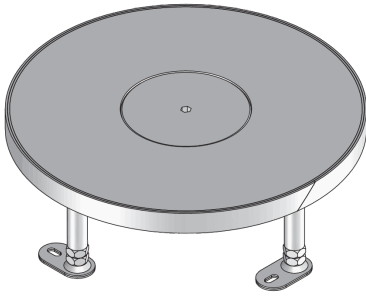


UEBDM RP WD

Stainless steel tube cover unit, 3x, round, flat



UEBDM RP WD are round tube cover units that accommodate a maximum of three mounting boxes. They consist of a height-adjustable cartridge mounting frame with a tube outlet cartridge, a bolted tube mounting kit and a rubber seal. The units are suitable for installation in UBDHB floor sockets, assembly covers and raised or false floor openings in wet-cleaned rooms with office traffic loads. Both the cartridges and the tube covers and frames are made of stainless steel V2A. The units have an IP protection class of IP 54 in an unused condition. They have a maximum load capacity of 4 kN, an adjustment range of 55 mm, an installation dimension of 307 mm and a minimum installation height of 100 mm.



Stainless steel, according to ASTM 304 / BS 304 S 3

Products	H	H _{min}	N	E	P _{max}	IP _g	IP _n	T	mounting box	W
UEBDM 15-RP-WD	21 mm	100 mm	55 mm	307 mm	4,00 kN	IP-22	IP-54	0 mm	3	6,124 kg
incl.:										
1 × UETD112-R-WD, 1 × UGD-R 10-2, 1 × UGDB15-R300 1.8										

H: height

H_{min}: minimum installation height

N: levelling range

E: fitting dimension

P_{max}: maximum load

IP_g: IP protection level in used condition

IP_n: IP protection level in unused condition

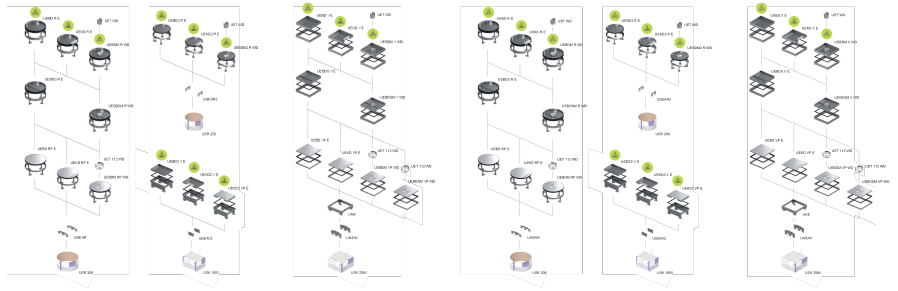
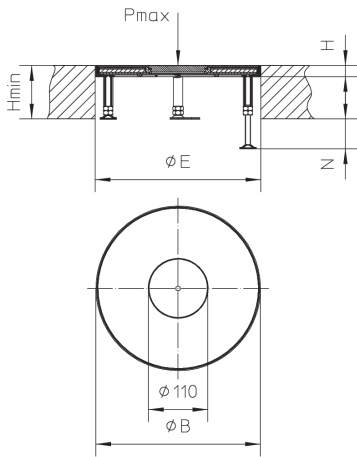
T: Depth of flooring recess

mounting box: maximum number of installable device casings

W: Weight per storage unit

DETAIL AND APPLICATION IMAGES





OPTIONAL ACCESSORIES

UET112 WD, UGEAR, UBDSLIF, UGM SLF



wet maintained



Load requirements according to, DIN EN 50085

