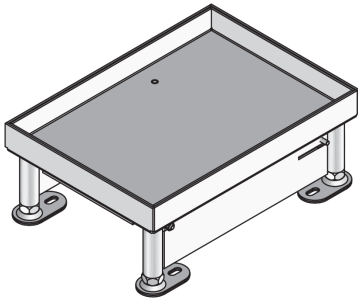


UEBD2 V E

Stainless steel dummy cover unit, 2x, angular



UEBD2 V E components are dummy covers with abutting edges. They consist of a height-adjustable installation unit, a rubber seal and a dummy cartridge for holding a maximum of two mounting boxes. The units are suitable for installation in UBDHB floor sockets and raised or false floor openings in dry-cleaned and wet-cleaned rooms with office traffic loads. They are made of stainless steel V2A. They have an IP protection level of IP 30 in an unused condition, a maximum load capacity of 1.5 kN, an adjustment range of 45 mm, an installation dimension of 261 x 186 mm and a minimum installation height of 90 or 100 mm.



Stainless steel, according to ASTM 304 / BS 304 S 3

Products	H	H _{min}	N	B	L	E	P _{max}	IP _n	T	mounting box	W
UEBD2 15-V E	19 mm	90 mm	45 mm	185 mm	258 mm	261 x 186 mm	1,50 kN	IP-30	12,5 mm	2	2,252 kg
UEBD2 25-V E	29 mm	100 mm	45 mm	185 mm	258 mm	261 x 186 mm	1,50 kN	IP-30	22,5 mm	2	2,530 kg

H: height

H_{min}: minimum installation height

N: levelling range

B: width

L: length

E: fitting dimension

P_{max}: maximum load

IP_n: IP protection level in unused condition

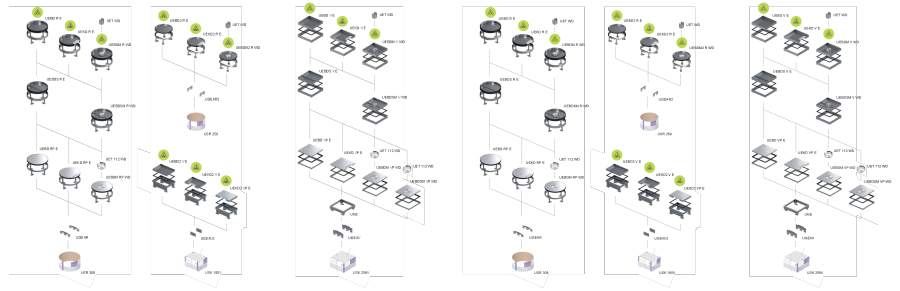
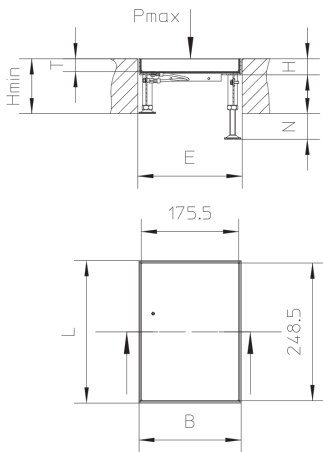
T: Depth of flooring recess

mounting box: maximum number of installable device casings

W: Weight per storage unit



DETAIL AND APPLICATION IMAGES



OPTIONAL ACCESSORIES

UBDSLFL, UGM SLF



dry maintained



moistly maintained



Load requirements according to, DIN EN 50085

