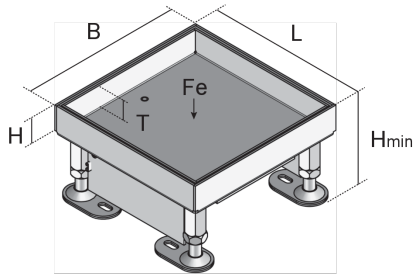


## UEBD1-2 V E

Stainless steel dummy cover single outlet cartridge, 2x, angular



UEBD1-2 V E components are square dummy cover individual outlet cartridges with abutting edges. The installation units consist of a height-adjustable cartridge mounting frame and a dummy cartridge and are used to accommodate two installation devices. They are suitable for installation in floor sockets and raised or false floor openings in wet-cleaned rooms with office traffic loads. The cartridges and frames are made of stainless steel, material no. 1.4301 (V2A), and the substructures of hot-dip galvanised sheet steel. They have installation dimensions of 164 x 164 mm, an IP protection class of IP 54 in an unused condition and a levelling range of 45 mm.



Products	H <sub>min</sub>	N	E	P <sub>max</sub>	IP <sub>n</sub>	weight
UEBD1-2 15-V E	80 mm	45 mm	164 x 164 mm	2,00 kN	IP-54	1,416 kg
UEBD1-2 25-V E	90 mm	45 mm	164 x 164 mm	2,00 kN	IP-54	1,632 kg

**H<sub>min</sub>**: minimum installation height

**N**: levelling range

**E**: fitting dimension

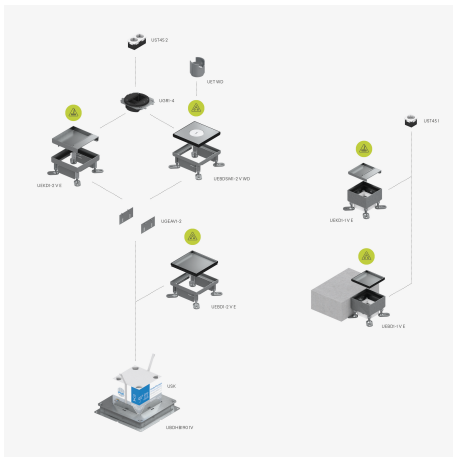
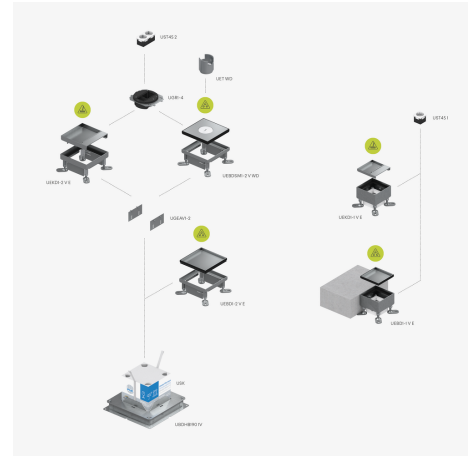
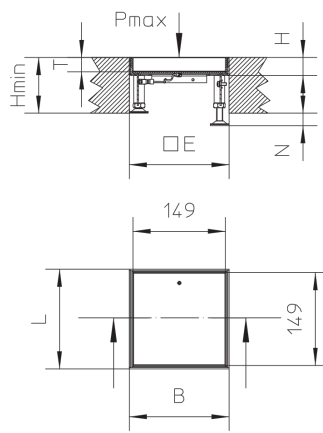
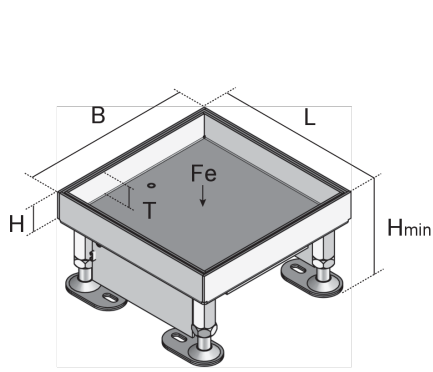
**P<sub>max</sub>**: maximum load

**IP<sub>n</sub>**: IP protection level in unused condition

## DETAIL AND APPLICATION IMAGES



# PRODUCT INFORMATION



## OPTIONAL ACCESSORIES

UGEAV1-2, UGR1-4



wet maintained



Load requirements according to, DIN EN 50085

