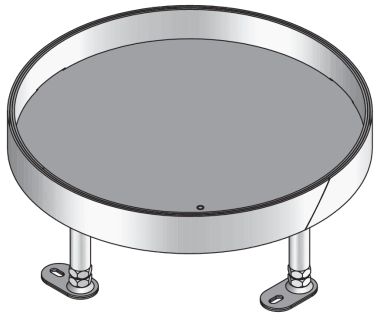


## UEBD R E

Stainless steel dummy cover unit, 3x, round



UEBD R E installation units are round dummy cover units with abutting edges. They can accommodate a maximum of three mounting boxes. They consist of height-adjustable mounting frames with a dummy insert cartridge, a rubber seal and the UGEAR-ELS earthing bracket. The components are suitable for use in wet-cleaned rooms with office traffic loads and are installed in assembly covers, UBDHB floor sockets and raised or false floor openings. The components are made of stainless steel V2A. They have an IP protection class of IP 54 in an unused condition, a max. load capacity of 2 kN, an adjustment range of 55 mm, an installation height of 100 or 117 mm and installation dimensions of 307 mm.



Stainless steel, according to ASTM 304 / BS 304 S 3

| Products   | H     | H <sub>min</sub> | N     | B      | E      | P <sub>max</sub> | IP <sub>n</sub> | T       | mounting box | W        |
|--|-------|------------------|-------|--------|--------|------------------|-----------------|---------|--------------|----------|
| UEBD 15-R E  | 19 mm | 100 mm           | 55 mm | 304 mm | 307 mm | 2,00 kN          | IP-54           | 12,5 mm | 3            | 2,417 kg |
| incl.:<br>1 × UGEAR-ELS, 1 × UGD-R 10-2, 1 × UGDB15-R300 1.8 |       |                  |       |        |        |                  |                 |         |              |          |
| UEBD 25-R E  | 29 mm | 110 mm           | 55 mm | 304 mm | 307 mm | 2,00 kN          | IP-54           | 22 mm   | 3            | 2,732 kg |
| incl.:<br>1 × UGDB15-R300 1.8, 1 × UGD-R 10-2, 1 × UGEAR-ELS |       |                  |       |        |        |                  |                 |         |              |          |
| UEBD 35-R E  | 38 mm | 117 mm           | 55 mm | 305 mm | 307 mm | 2,00 kN          | IP-54           | 30 mm   | 3            | 4,031 kg |
| incl.:<br>1 × UGDB15-R300 1.8, 1 × UGEAR-ELS, 1 × UGD-R 10-2 |       |                  |       |        |        |                  |                 |         |              |          |

**H:** height  
**H<sub>min</sub>:** minimum installation height  
**N:** levelling range  
**B:** width  
**E:** fitting dimension  
**P<sub>max</sub>:** maximum load

Page 1



# PRODUCT INFORMATION

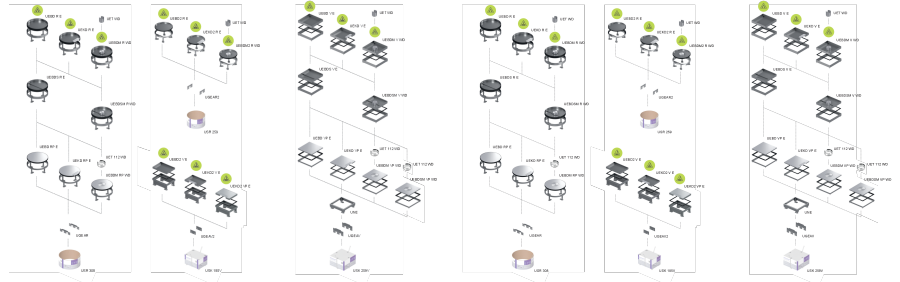
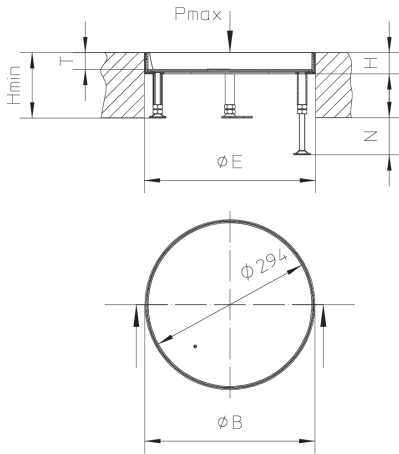
**IP<sub>n</sub>**: IP protection level in unused condition

**T**: Depth of flooring recess

**mounting box**: maximum number of installable device casings

**W**: Weight per storage unit

## DETAIL AND APPLICATION IMAGES



## OPTIONAL ACCESSORIES

UEBDE R, UBDSLFL, UGM SLF



wet maintained



Load requirements according to, DIN EN 50085

