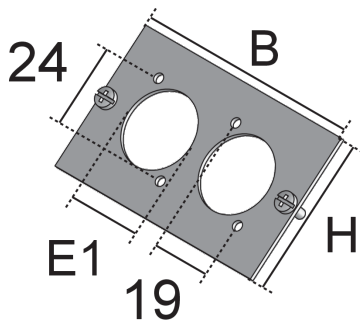


UDEP XLR

Mounting board, audio/video technology

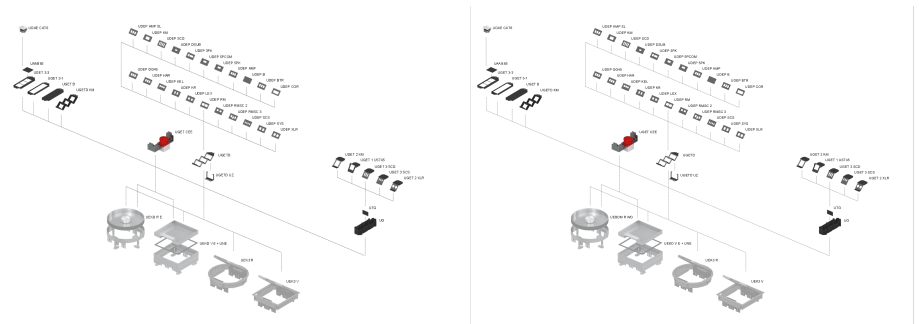
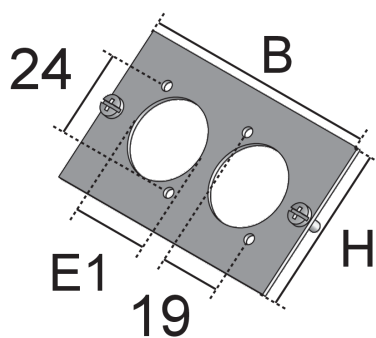
UDEP XLR components are installation boards from the underfloor system range. The boards are bolted into data device carriers where they are used to accommodate up to 2 SC duplex fibre-optic single installation devices. The installation boards are made of aluminium with a black coating on one side and have the installation dimensions of E1 23.6 mm.



Products	H	B	E1	color	data jacks	W
UDEP-XLR 2	46 mm	75 mm	23,6 mm	black	2	0,014 kg

H: height
B: width
E1: fitting dimension E1
data jacks:
W: Weight per storage unit

DETAIL AND APPLICATION IMAGES



OPTIONAL ACCESSORIES

UGETD

