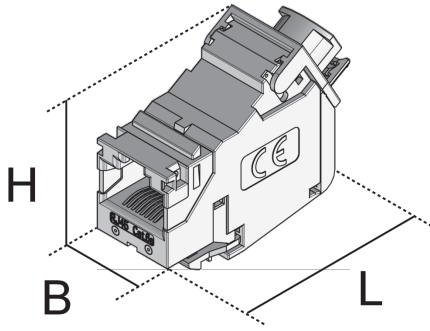


## UDAEUM

Data connection module



UDAEUM components are data connection modules according to type Cat.6A iso A, RJ 45. These universal modules from the range of installation devices for underfloor systems can be inserted into standard keystone cut-outs. They have a slot that can be used for STP (shielded twisted pair) network cables, which shield against external interfering factors. The shielding housing of the installation modules is made of die-cast zinc.

Products

W

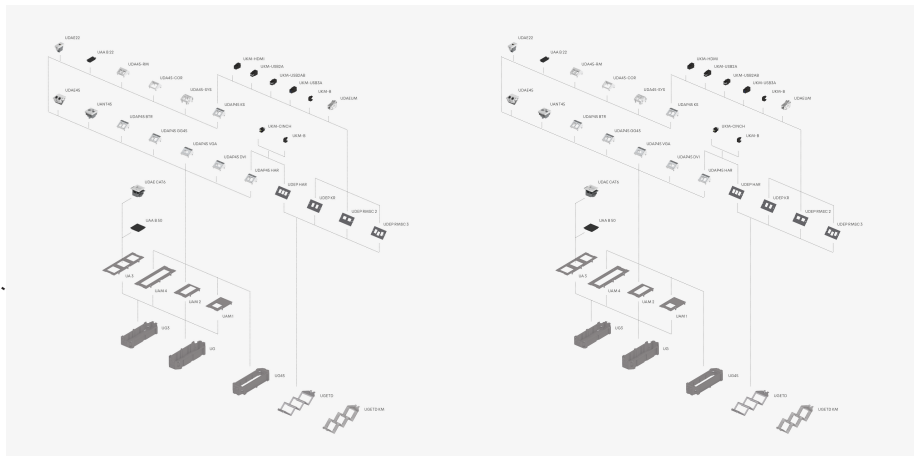
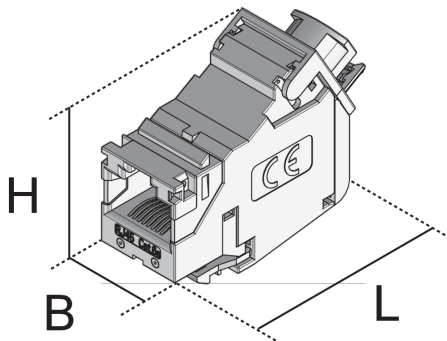
UDAEUM-CAT6 1

1

0,032 kg

W: Weight per storage unit

## DETAIL AND APPLICATION IMAGES



## OPTIONAL ACCESSORIES

UDEP KR, UDEP RMSC 3, UDAP45-KS, UDA22-KS





PohlCon GmbH  
Nobelstraße 51 | 12057 Berlin  
Telefon: +49 30 68283-04 | Fax: +49 30 68283-383 | [contact@pohlcon.com](mailto:contact@pohlcon.com)

