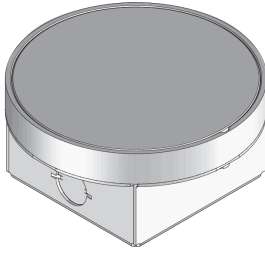


UBST R WD

Cleaning socket, single, round, levelable



Round cleaning socket made of high-grade steel sheet with a hem. Incl. white single isolated ground receptacle. As levelable unit with tube cover, retainer box made of sheet steel. For direct installation in screed floors. Suitable for rooms with low floor build-up and wet-cleaned floor coverings. Designed for office traffic loads.

aluminium

Products	H _{min}	N	B	E	P _{max}	IP _g	IP _n	weight
UBST-R W1-WD	55 mm	15 mm	119 mm	125 mm	2,00 kN	IP-43	IP-66	0,654 kg

H_{min}: minimum installation height

N: levelling range

B: width

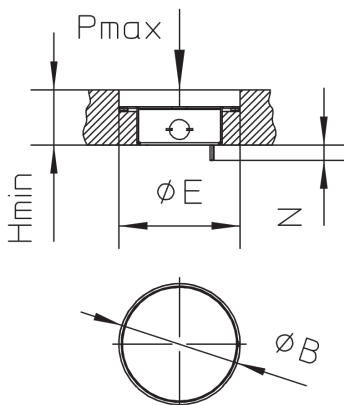
E: fitting dimension

P_{max}: maximum load

IP_g: IP protection level in used condition

IP_n: IP protection level in unused condition

DETAIL AND APPLICATION IMAGES



Page 1





wet maintained

