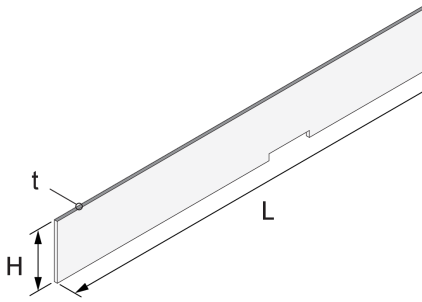


## UBSFPT

### Covering joint profile

The UBSFPT component is a covering joint profile for the screed-flush duct system UBSF. It serves as a turning profile for a covering level of 0 to 3 mm and is made of stainless steel. The component complies with DIN EN 50085 - the European standard for electrical installation duct systems, and is tested and certified by VDE.

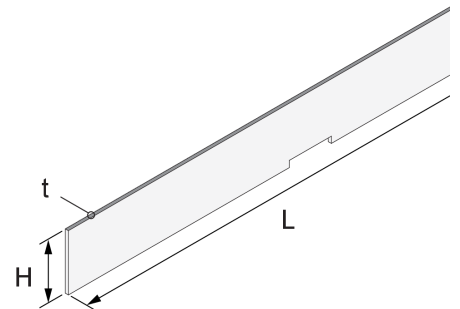
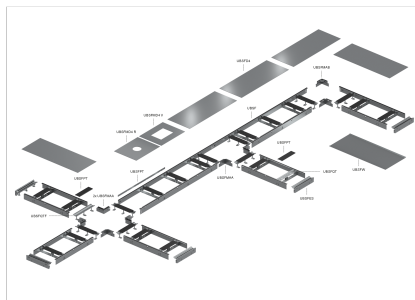
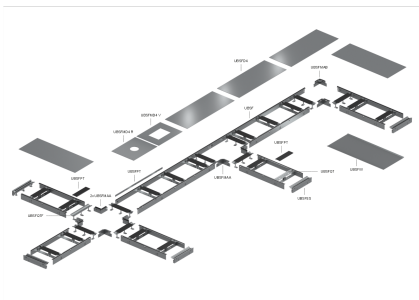


Stainless steel, according to ASTM 304 / BS 304 S 3

Products	H	L	t	weight
UBSFPT E	26 mm	1000 mm	1,5 mm	0,311 kg

H: height  
L: length  
t: material thickness

## DETAIL AND APPLICATION IMAGES



Load requirements according to, DIN EN 50085

