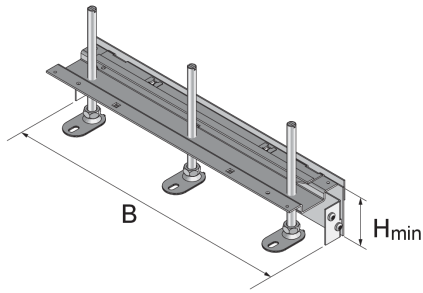


UBSFES

Levelling end piece



The UBSFES component is a levelling end piece for the screed-flush duct system UBSF. It is made of hot-dip galvanised sheet steel and is available in widths of 200 to 600 mm. The minimum installation height varies between 60 and 150 mm, depending on the product. The component complies with DIN EN 50085 - the European standard for electrical installation duct systems, and is tested and certified by VDE.



steel, continuously hot galvanized/Senzimir process

Products	H _{min}	N	B	W
UBSFES 60-20S	60 mm	20 mm	200 mm	0,525 kg
UBSFES 60-30S	60 mm	20 mm	300 mm	0,726 kg
UBSFES 60-40S	60 mm	20 mm	400 mm	1,007 kg
UBSFES 60-50S	60 mm	20 mm	500 mm	1,214 kg
UBSFES 60-60S	60 mm	20 mm	600 mm	1,421 kg
UBSFES 75-20S	75 mm	30 mm	200 mm	0,652 kg
UBSFES 75-30S	75 mm	30 mm	300 mm	0,887 kg
UBSFES 75-40S	75 mm	30 mm	400 mm	1,228 kg
UBSFES 75-50S	75 mm	30 mm	500 mm	1,468 kg
UBSFES 75-60S	75 mm	30 mm	600 mm	1,709 kg
UBSFES 100-20S	100 mm	55 mm	200 mm	0,781 kg
UBSFES 100-30S	100 mm	55 mm	300 mm	1,073 kg
UBSFES 100-40S	100 mm	55 mm	400 mm	1,475 kg
UBSFES 100-50S	100 mm	55 mm	500 mm	1,775 kg
UBSFES 100-60S	100 mm	55 mm	600 mm	2,076 kg
UBSFES 150-20S	150 mm	105 mm	200 mm	1,163 kg
UBSFES 150-30S	150 mm	105 mm	300 mm	1,567 kg
UBSFES 150-40S	150 mm	105 mm	400 mm	2,152 kg
UBSFES 150-50S	150 mm	105 mm	500 mm	2,568 kg
UBSFES 150-60S	150 mm	105 mm	600 mm	2,983 kg

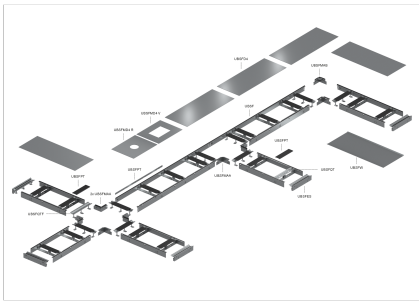
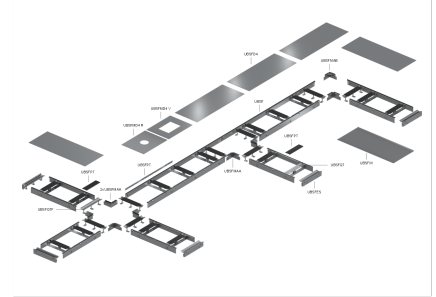
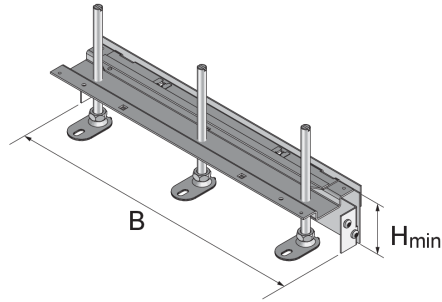
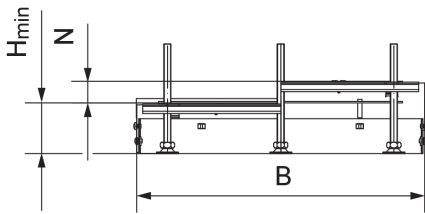
Page 1



PRODUCT INFORMATION

H_{min} : minimum installation height
 N : levelling range
 B : width
 W : Weight per storage unit

DETAIL AND APPLICATION IMAGES



DIN

Load requirements according to, DIN EN 50085

