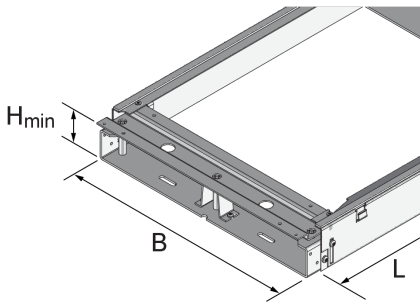


UBSF

Screed-flush duct system, free-standing



The screed-flush duct system UBSF is used for horizontal cable routing and is a free-standing, open system with removable covers. It is made of hot-dip galvanised sheet steel and consists of pre-assembled side sections, levelling brackets and crossbeams including accessories. The duct is installed in the concrete ceiling and is designed for traffic loads in offices. UBSF has a length of 2000 mm and is available in widths between 200 and 600 mm. The minimum installation height varies between 60 mm and 150 mm, depending on the product. The duct is suitable for rooms with dry and wet-cleaned floors. The screed-flush duct system UBSF complies with DIN EN 50085 - the European standard for electrical installation duct systems, and is tested and certified by VDE.

DIN

steel, continuously hot galvanized/Sendzimir process

Products	H_{min}	N	B	L	P_{max}	weight
UBSF 60-20S	60 mm	20 mm	200 mm	2000 mm	3 kN	6,182 kg
UBSF 60-30S	60 mm	20 mm	300 mm	2000 mm	3 kN	7,596 kg
UBSF 60-40S	60 mm	20 mm	400 mm	2000 mm	3 kN	9,006 kg
UBSF 60-50S	60 mm	20 mm	500 mm	2000 mm	3 kN	10,066 kg
UBSF 60-60S	60 mm	20 mm	600 mm	2000 mm	3 kN	11,122 kg
UBSF 75-20S	75 mm	30 mm	200 mm	2000 mm	3 kN	7,976 kg
UBSF 75-30S	75 mm	30 mm	300 mm	2000 mm	3 kN	9,350 kg
UBSF 75-40S	75 mm	30 mm	400 mm	2000 mm	3 kN	10,828 kg
UBSF 75-50S	75 mm	30 mm	500 mm	2000 mm	3 kN	11,884 kg
UBSF 75-60S	75 mm	30 mm	600 mm	2000 mm	3 kN	12,940 kg
UBSF 100-20S	100 mm	55 mm	200 mm	2000 mm	3 kN	9,508 kg
UBSF 100-30S	100 mm	55 mm	300 mm	2000 mm	3 kN	10,886 kg
UBSF 100-40S	100 mm	55 mm	400 mm	2000 mm	3 kN	12,500 kg
UBSF 100-50S	100 mm	55 mm	500 mm	2000 mm	3 kN	13,560 kg
UBSF 100-60S	100 mm	55 mm	600 mm	2000 mm	3 kN	14,522 kg
UBSF 150-20S	150 mm	105 mm	200 mm	2000 mm	3 kN	13,398 kg
UBSF 150-30S	150 mm	105 mm	300 mm	2000 mm	3 kN	14,776 kg
UBSF 150-40S	150 mm	105 mm	400 mm	2000 mm	3 kN	16,366 kg
UBSF 150-50S	150 mm	105 mm	500 mm	2000 mm	3 kN	17,426 kg

Page 1

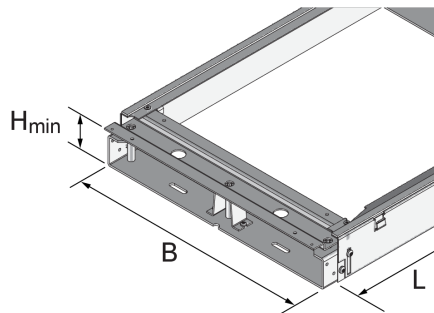
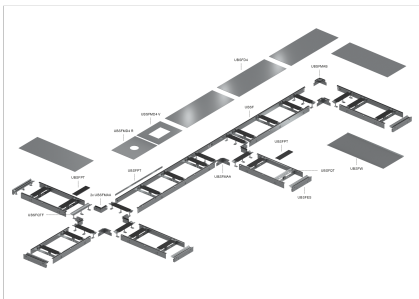
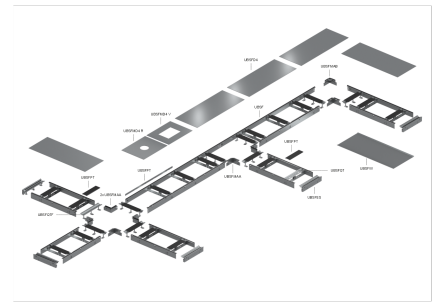
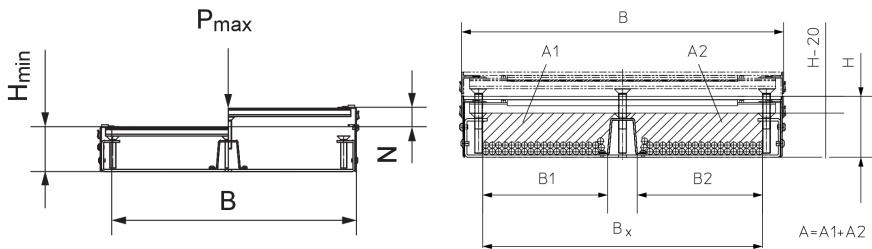


PRODUCT INFORMATION

Products	H_{min}	N	B	L	P_{max}	weight
UBSF 150-60S	150 mm	105 mm	600 mm	2000 mm	3 kN	18,478 kg

H_{min} : minimum installation height
 N: levelling range
 B: width
 L: length
 P_{max} : maximum load

DETAIL AND APPLICATION IMAGES



Load requirements according to, DIN EN 50085



PohlCon GmbH
 Nobelstraße 51 | 12057 Berlin
 Telefon: +49 30 68283-04 | Fax: +49 30 68283-383 | contact@pohlcon.com

