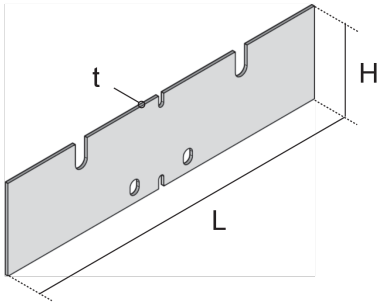


UBKV

Connector



UBKV components are connectors for screed-flush heavy-duty ducts. They are used to reliably bolt duct bases together. These items are made of sendzimir hot-dip galvanised sheet steel in accordance with DIN EN 10346 and are supplied with two round-head bolts FRS 8X25 with a square in accordance with DIN 603 and two nuts with a flange SEMS 8 in accordance with DIN EN 1661. The connectors are 230 mm long, made of material 2 mm thick and come in three different heights.

Products	H	L	t	weight
UBKV 100S	60 mm	230 mm	2,00 mm	0,259 kg
incl.: 2 × FRS 8X25, 2 × SEMS 8				
UBKV 135S	95 mm	230 mm	2,00 mm	0,385 kg
incl.: 2 × FRS 8X25, 2 × SEMS 8				
UBKV 170S	130 mm	230 mm	2,00 mm	0,511 kg
incl.: 2 × FRS 8X25, 2 × SEMS 8				

H: height
L: length
t: material thickness

DETAIL AND APPLICATION IMAGES



PRODUCT INFORMATION

