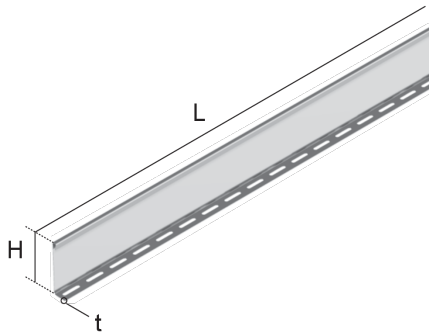


## UBKTR

### Separating strip

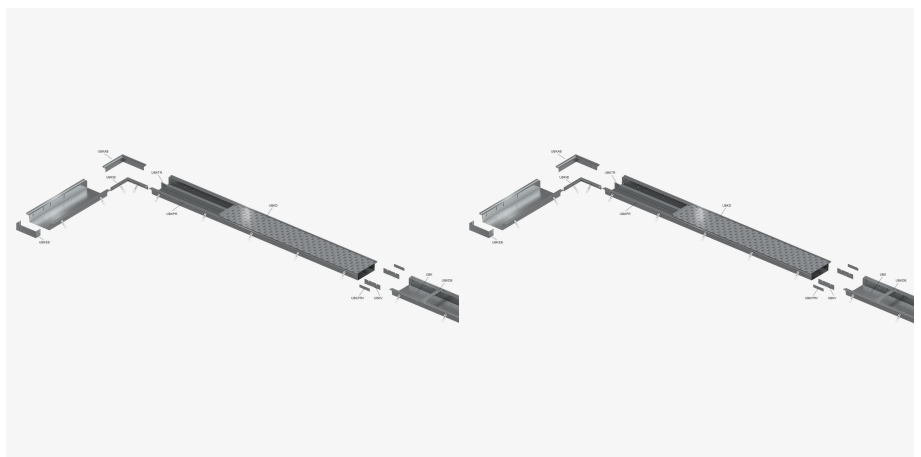
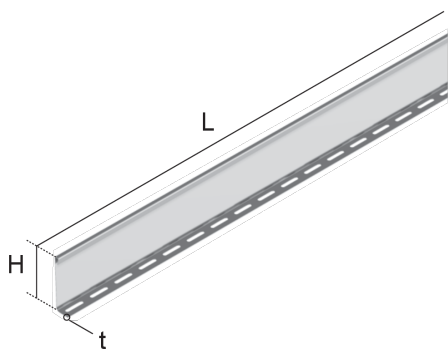


UBKTR components are separating strips used for the installation of screed-flush heavy-duty ducts. The underfloor elements are bolted into the ducts where they safely separate the power cables from other installation elements. They are made of sendzimir hot-dip galvanised sheet steel in accordance with DIN EN 10346. They are 3000 mm long, are made of material 1 mm thick and come in three different heights. SNA nail anchors can be supplied as an optional accessory.

Products	H	L	t	W
UBKTR 100S	80 mm	3000 mm	1,00 mm	6,300 kg
UBKTR 135S	115 mm	3000 mm	1,00 mm	8,200 kg
UBKTR 170S	150 mm	3000 mm	1,00 mm	10,100 kg

**H:** height  
**L:** length  
**t:** material thickness  
**W:** Weight per storage unit

## DETAIL AND APPLICATION IMAGES



## OPTIONAL ACCESSORIES

SNA

