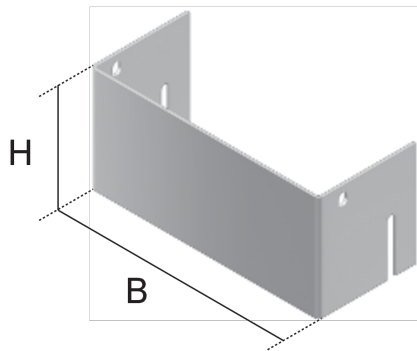


UBKEB

End piece



UBKEB items are end pieces for screed-flush heavy-duty floor ducts. These closure elements are hooked into the duct bases using the slots and aligned. They are made of sendzimir hot-dip galvanised sheet steel according to DIN EN 10346. The end pieces come in various heights and widths and are optionally available with the KLS clamp fixing set.

Products	H	B	weight
UBKEB 100-20S	86 mm	188 mm	0,400 kg
UBKEB 100-30S	86 mm	288 mm	0,500 kg
UBKEB 100-40S	86 mm	388 mm	0,600 kg
UBKEB 135-20S	121 mm	188 mm	0,500 kg
UBKEB 135-30S	121 mm	288 mm	0,600 kg
UBKEB 135-40S	121 mm	388 mm	0,700 kg
UBKEB 170-20S	156 mm	188 mm	0,600 kg
UBKEB 170-30S	156 mm	288 mm	0,700 kg
UBKEB 170-40S	156 mm	388 mm	0,800 kg

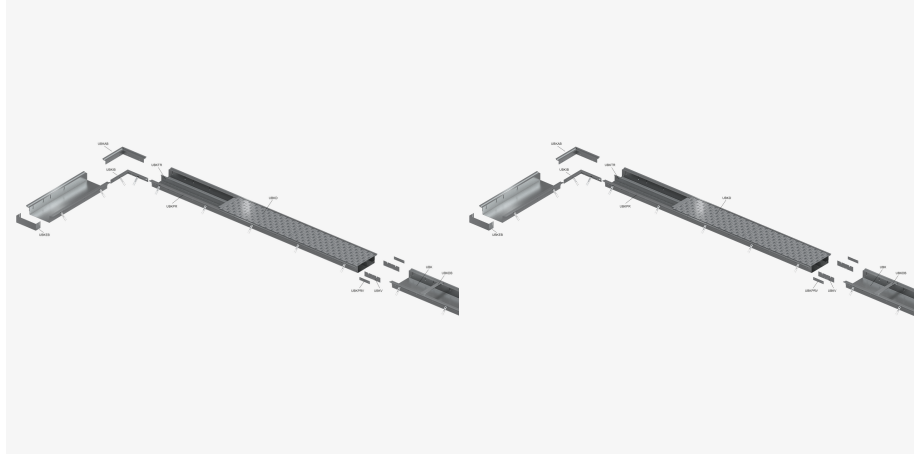
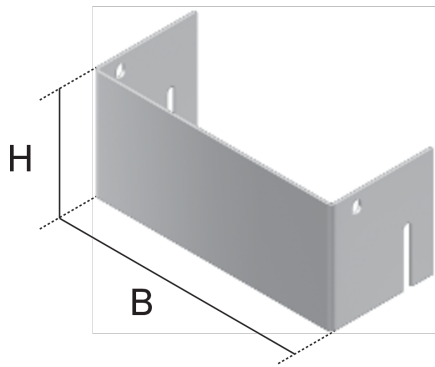
H: height

B: width

DETAIL AND APPLICATION IMAGES



PRODUCT INFORMATION



OPTIONAL ACCESSORIES

KLS

