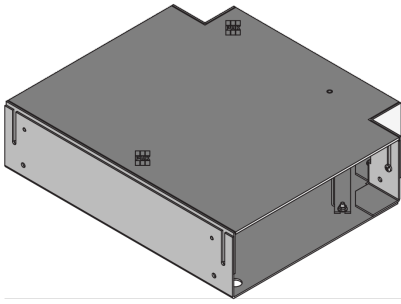


UBEBMAR

T-junction, right

The UBEBMAR 85 T-junction is a component within the CHALI screed-flush brush ducts system. This product serves as a connector between two duct sections. Thanks to its T-shape, cables can be laid within a trunk section in the desired direction. The component is made of sendzimir hot-dip galvanized sheet steel in accordance with DIN EN 10346.



steel, continously hot galvanized/Sendzimir process

| Products | H | B | L | α | W |
|----------------|-------|--------|--------|----------|----------|
| UBEBMAR 85-25S | 85 mm | 295 mm | 340 mm | 90° | 5,484 kg |

H: height

B: width

L: length

α

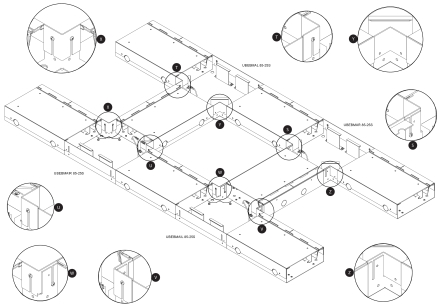
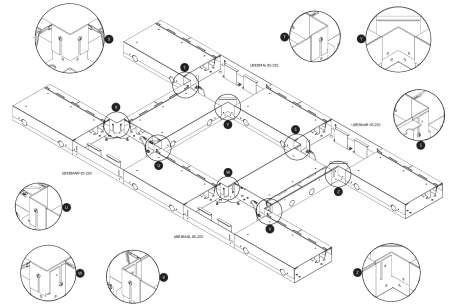
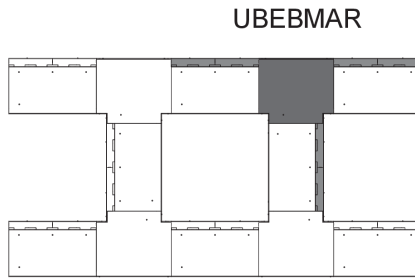
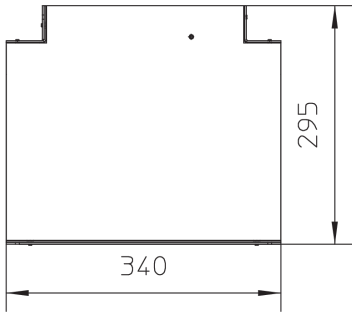
:

W: Weight per storage unit

DETAIL AND APPLICATION IMAGES



PRODUCT INFORMATION



OPTIONAL ACCESSORIES

CHALI

DIN

Load requirements according to, DIN EN 50085

