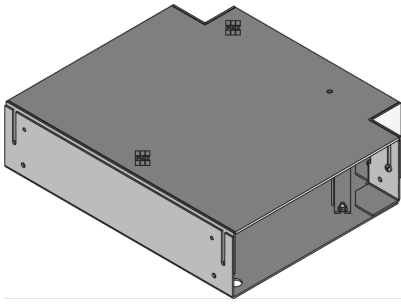


UBEBMAR 85

T-junction, right

The UBEBMAR 85 T-junction is a component within the CHALI screed-flush brush ducts system. This product serves as a connector between two duct sections. Thanks to its T-shape, cables can be laid within a trunk section in the desired direction. The component is made of sendzimir hot-dip galvanized sheet steel in accordance with DIN EN 10346.



steel, continously hot galvanized/Sendzimir process

Products	H	B	L	α	W
UBEBMAR 85-25S	85 mm	295 mm	340 mm	90°	5,484 kg

H: height

B: width

L: length

α

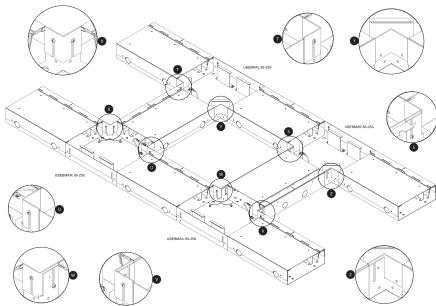
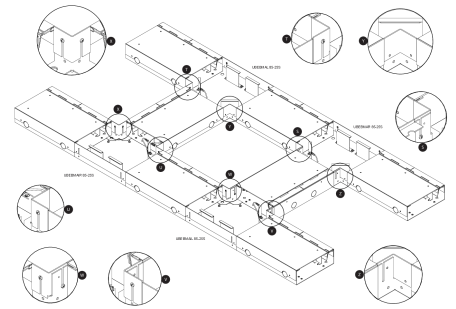
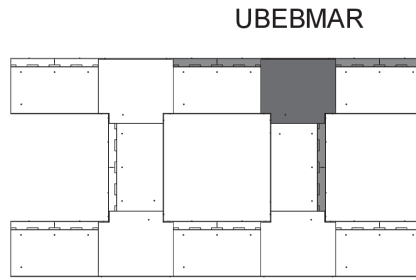
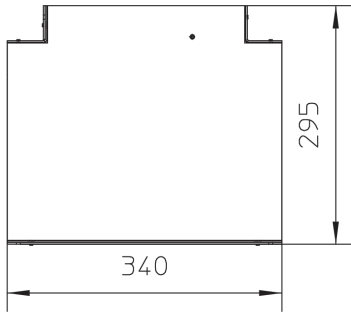
:

W: Weight per storage unit

DETAIL AND APPLICATION IMAGES



PRODUCT INFORMATION



OPTIONAL ACCESSORIES

CHALI

DIN

Load requirements according to, DIN EN 50085

