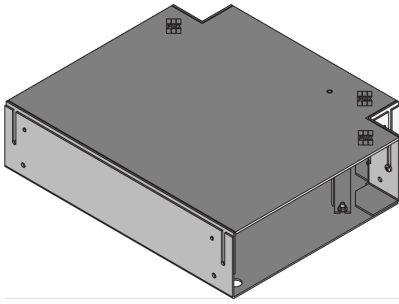


## UBEBMAL 85

T-junction, left

The UBEBMAL 85 T-junction is a component within the CHALI screed-flush brush ducts system. This product serves as a connector between two duct sections. Thanks to its T-shape, cables can be laid within a trunk section in the desired direction. The component is made of sendzimir hot-dip galvanized sheet steel in accordance with DIN EN 10346.



steel, continously hot galvanized/Sendzimir process

Products	H	B	L	$\alpha$	W
UBEBMAL 85-25S	85 mm	295 mm	340 mm	90°	5,484 kg

**H:** height

**B:** width

**L:** length

$\alpha$

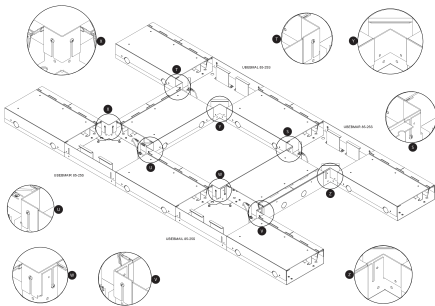
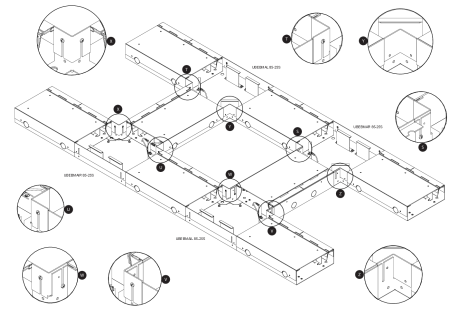
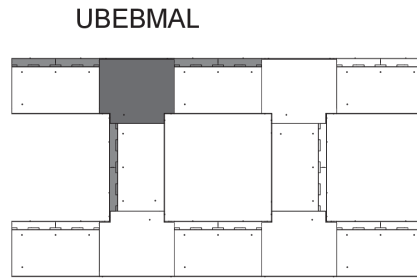
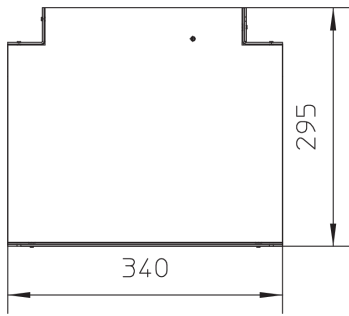
:

**W:** Weight per storage unit

## DETAIL AND APPLICATION IMAGES



# PRODUCT INFORMATION



## OPTIONAL ACCESSORIES

CHALI

DIN

Load requirements according to, DIN EN 50085

